



This Catalogue is applicable for 250NK



Mercury Silver (ABS, TFT DASHBOARD)

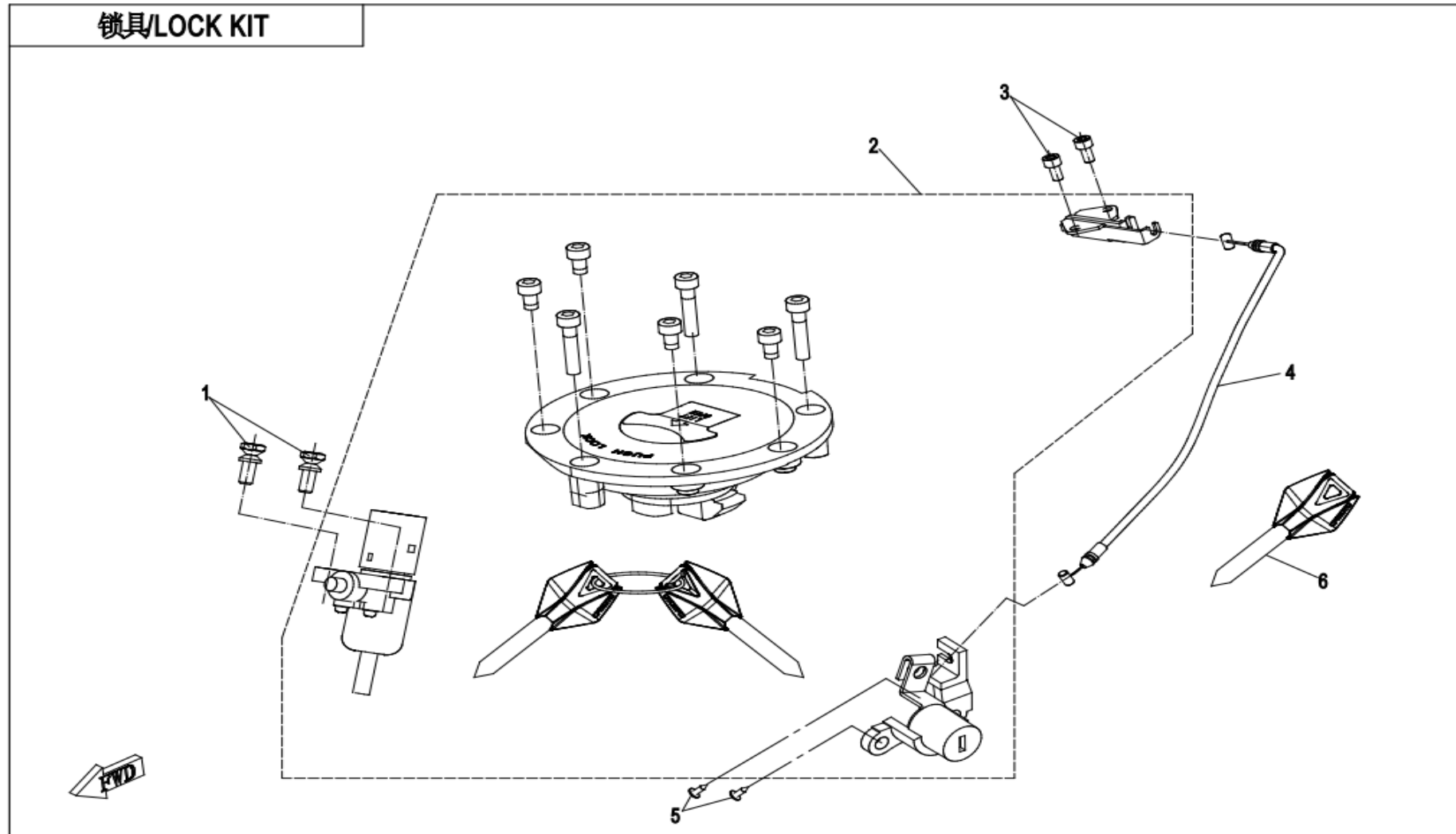


30th Anniversary Limited Edition (ABS, TFT DASHBOARD)



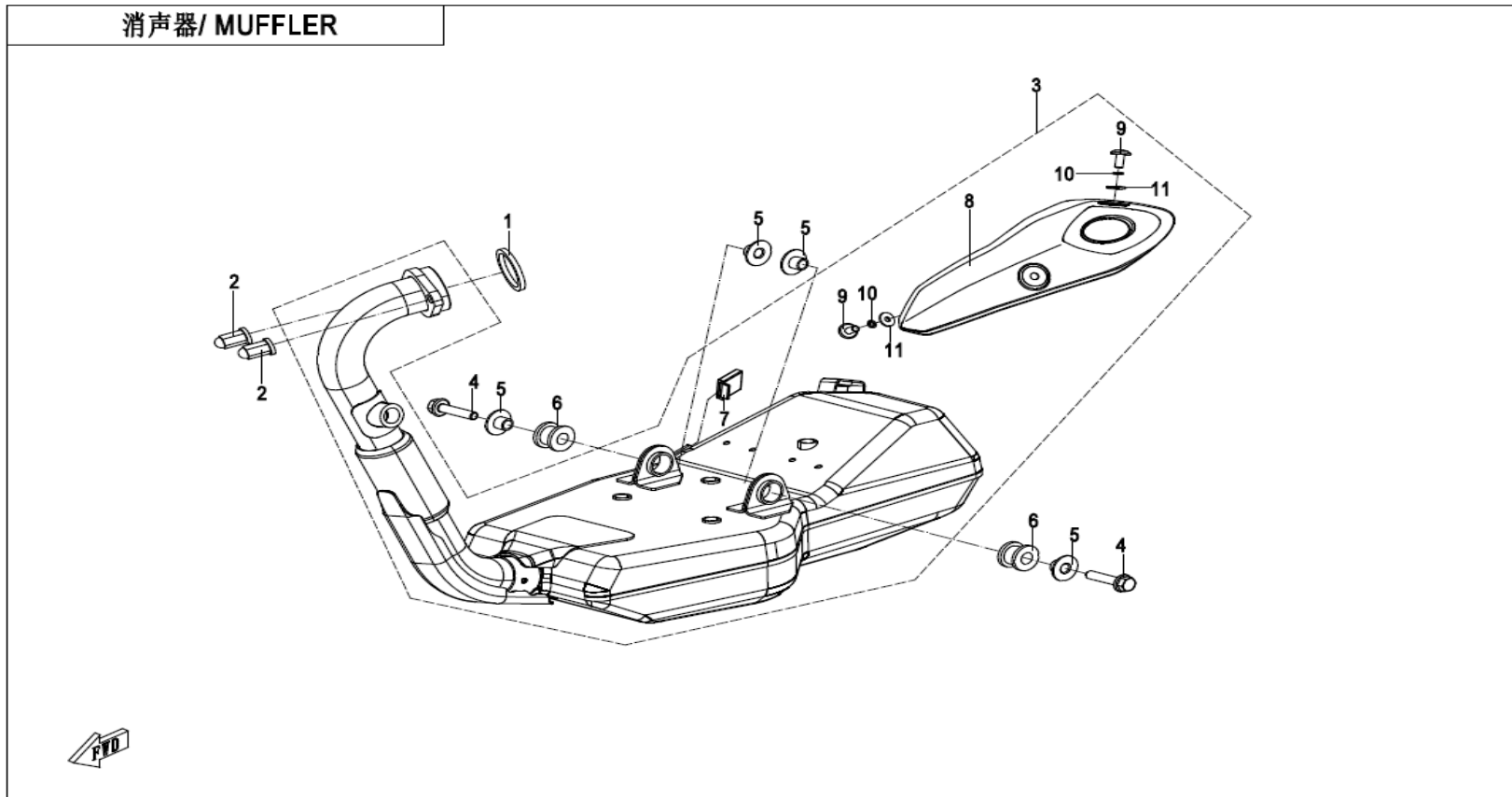
Nebula black (NON ABS, LCD DASHBOARD)

F01 锁具 LOCK KIT



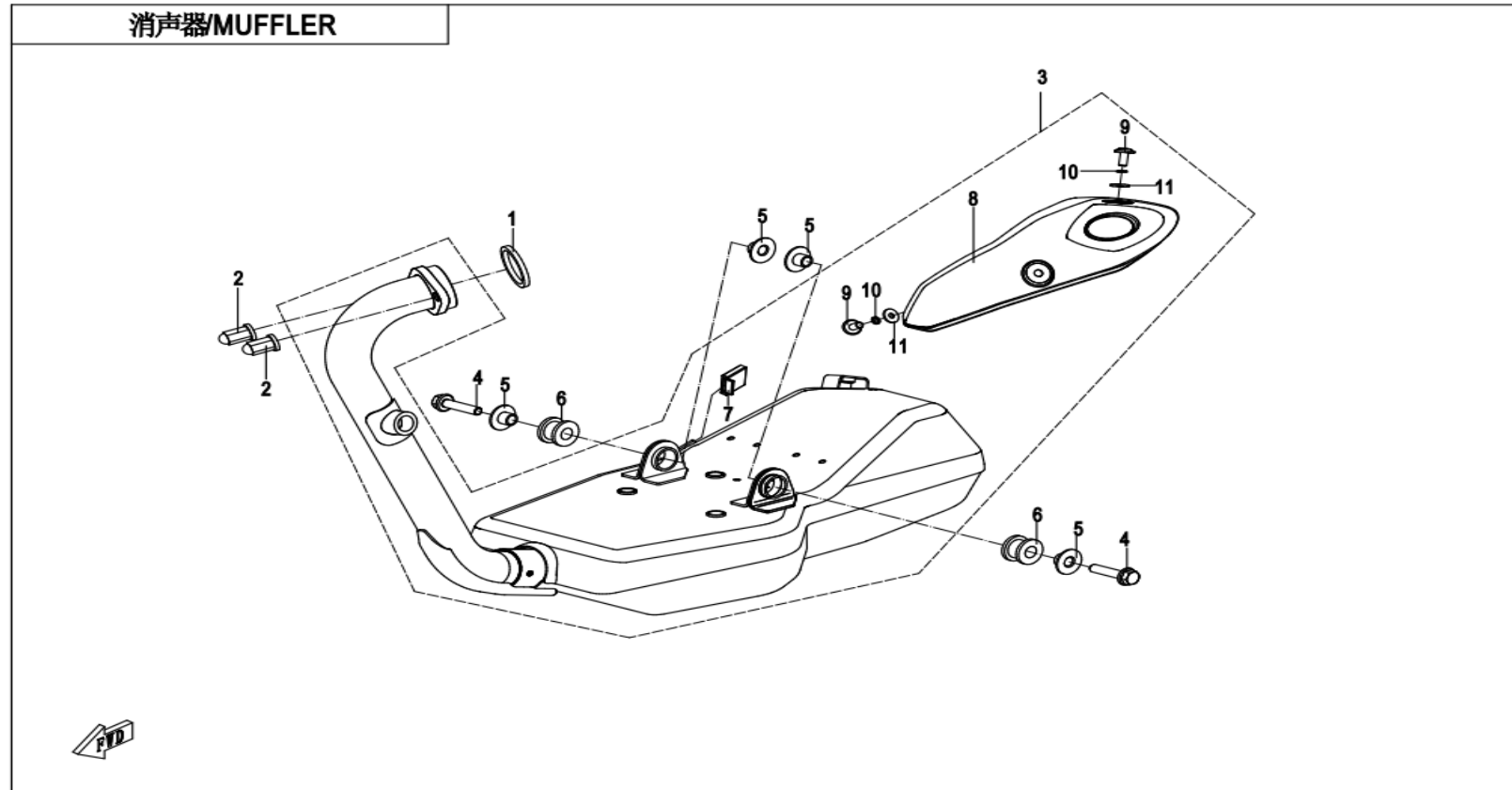
Item No	Parts Number	Parts Name(EN)	Parts Name(CN)	Qty	Specification
01	6KJ0-010001	BOLT	断头螺栓	2	
02	6KM#-010100-6000	LOCK KIT	锁具组合	1	
03	30006-060012810	BOLT M6x12	螺栓	2	M6x12
04	6KM0-010010	SEAT CABLE	座垫拉索	1	
05	30110-421130010	SELF-TAPPING SCREW ST4.2x13	自攻螺钉	2	ST4.2x13
06	6NQ0-011001-0MP00	KEY	钥匙	1	BLANK

F02-A 消声器 MUFFLER



Item No	Parts Number	Parts Name(EN)	Parts Name(CN)	Qty	Specification
01	6KM0-020010	SEAL WASHER, EXHAUST PORT	排气口密封垫	1	
02	8010-020001	NUT M8, MUFFLER JOINT	消声器接头螺母M8	2	M8
03	6KM#-021000-6001	MUFFLER ASSY	消音器组合	1	
04	30006-080035810	BOLT M8x35	螺栓	2	M8x35
05	A000-020005	BUSHING	衬套	4	
06	A000-020004	DAMPER, MUFFLER	消声器缓冲套	2	
07	6KM0-021001	RUBBER COLLAR	橡胶套	1	
08	6KM0-021010	TAIL COVER ASSY.	尾罩焊接组合	1	
09	A000-040702	INNER HEX SCREW M6x12	内六角螺钉M6×12	2	M6x12
10	30303-060112	WASHER	垫圈	2	6
11	30306-060112	WASHER	垫圈	2	6

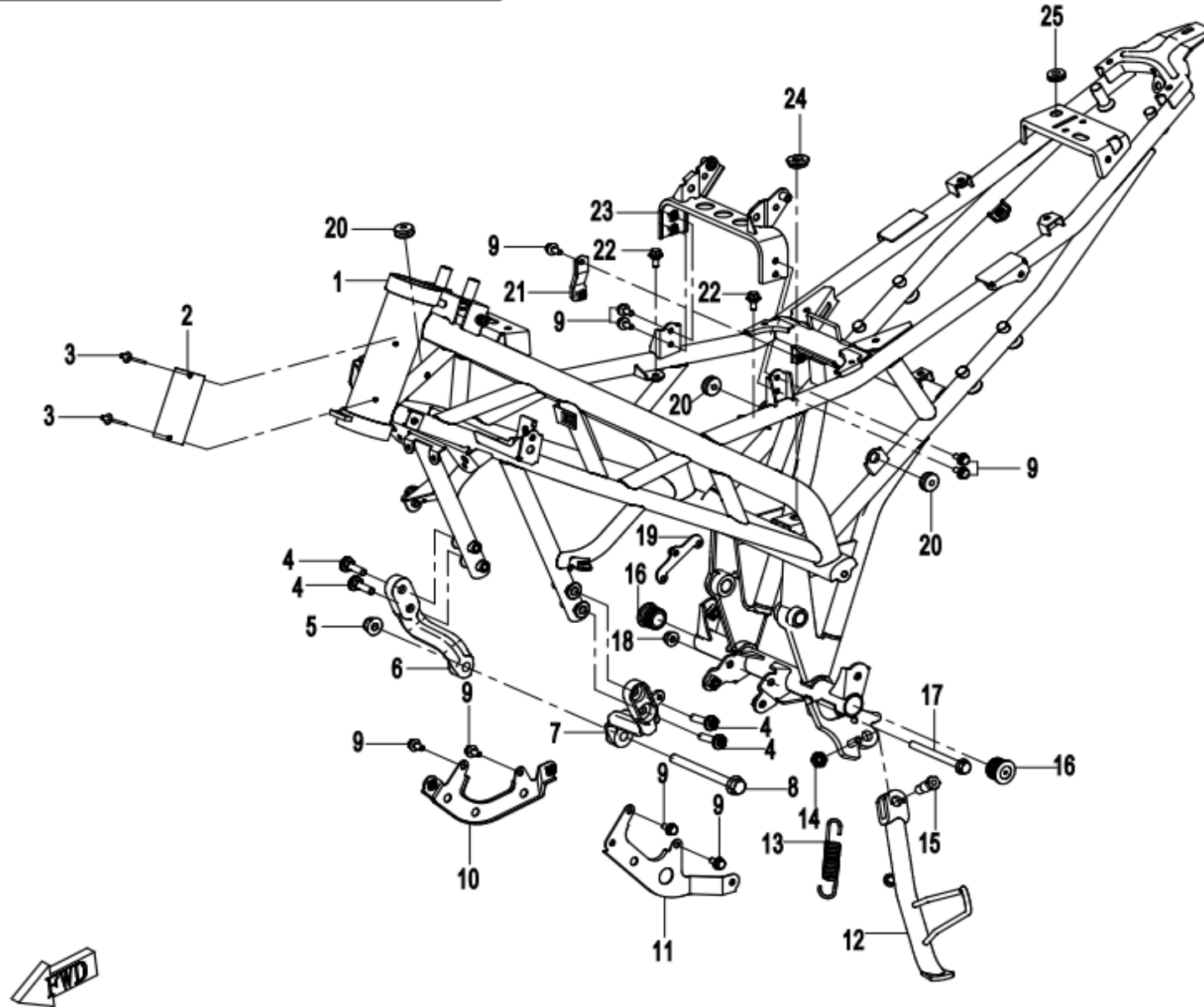
F02-B 消声器(30周年) MUFFLER(30 ANNIVERSARY)



Item No	Parts Number	Parts Name(EN)	Parts Name(CN)	Qty	Specification
01	6KM0-020010	SEAL WASHER, EXHAUST PORT	排气口密封垫	1	
02	8010-020001	NUT M8, MUFFLER JOINT	消声器接头螺母M8	2	M8
03	6KMK-021000-6600	MUFFLER ASSY.	消声器组合	1	
04	30006-080035810	BOLT	螺栓	2	M8x35
05	A000-020005	BUSHING	衬套	4	
06	A000-020004	DAMPER, MUFFLER	消声器缓冲套	2	
07	6KM0-021001	RUBBER COLLAR	橡胶套	1	
08	6KMK-021010-6600	REAR GUARD ASSY	尾罩焊接组合	1	
09	A000-040702	INNER HEX SCREW M6x12	内六角螺钉M6x12	2	M6x12
10	30303-060112	WASHER	垫圈	2	6
11	30306-060112	WASHER	垫圈	2	6

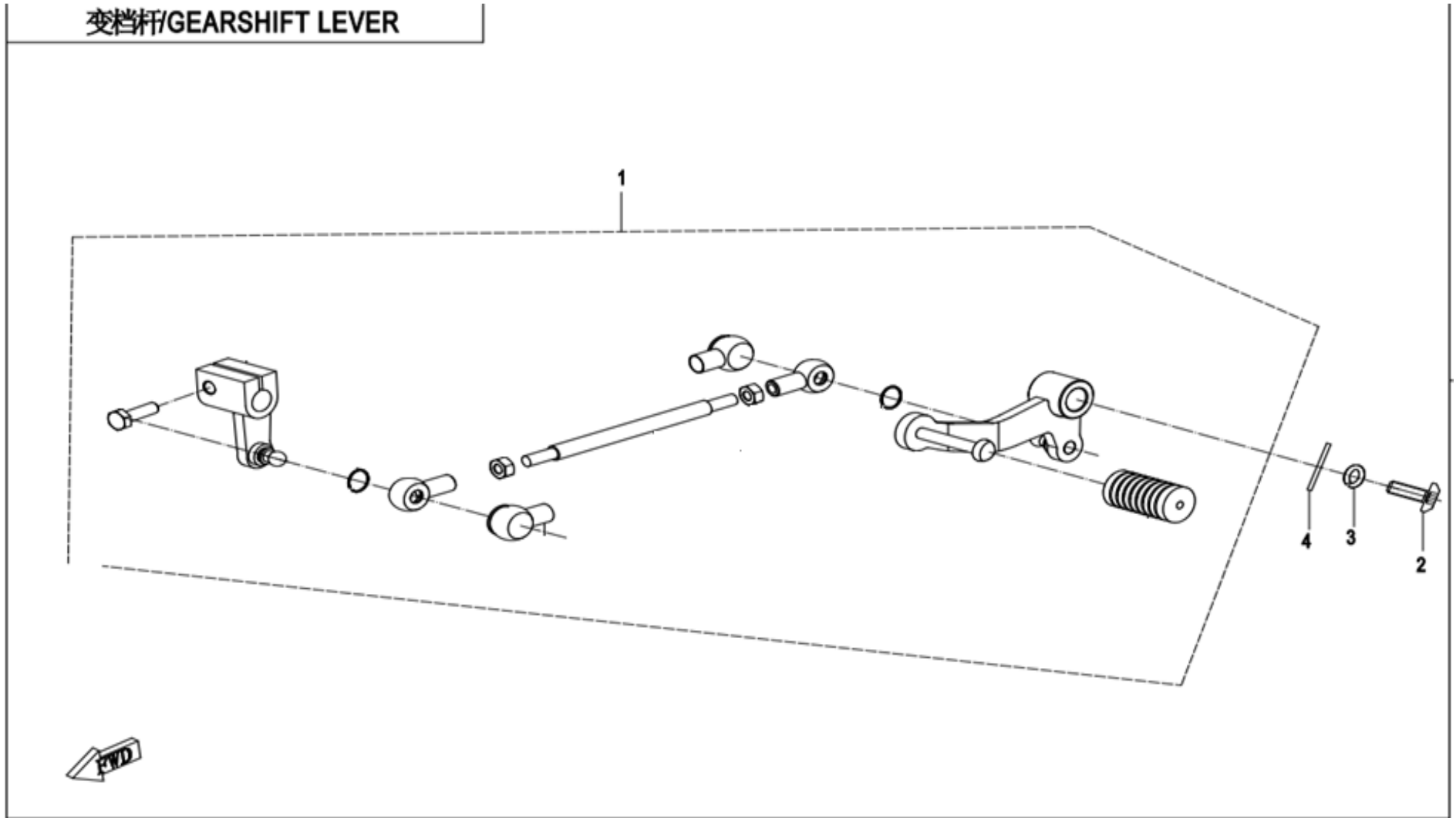
F03-1 车架 FRAME

车架FRAME



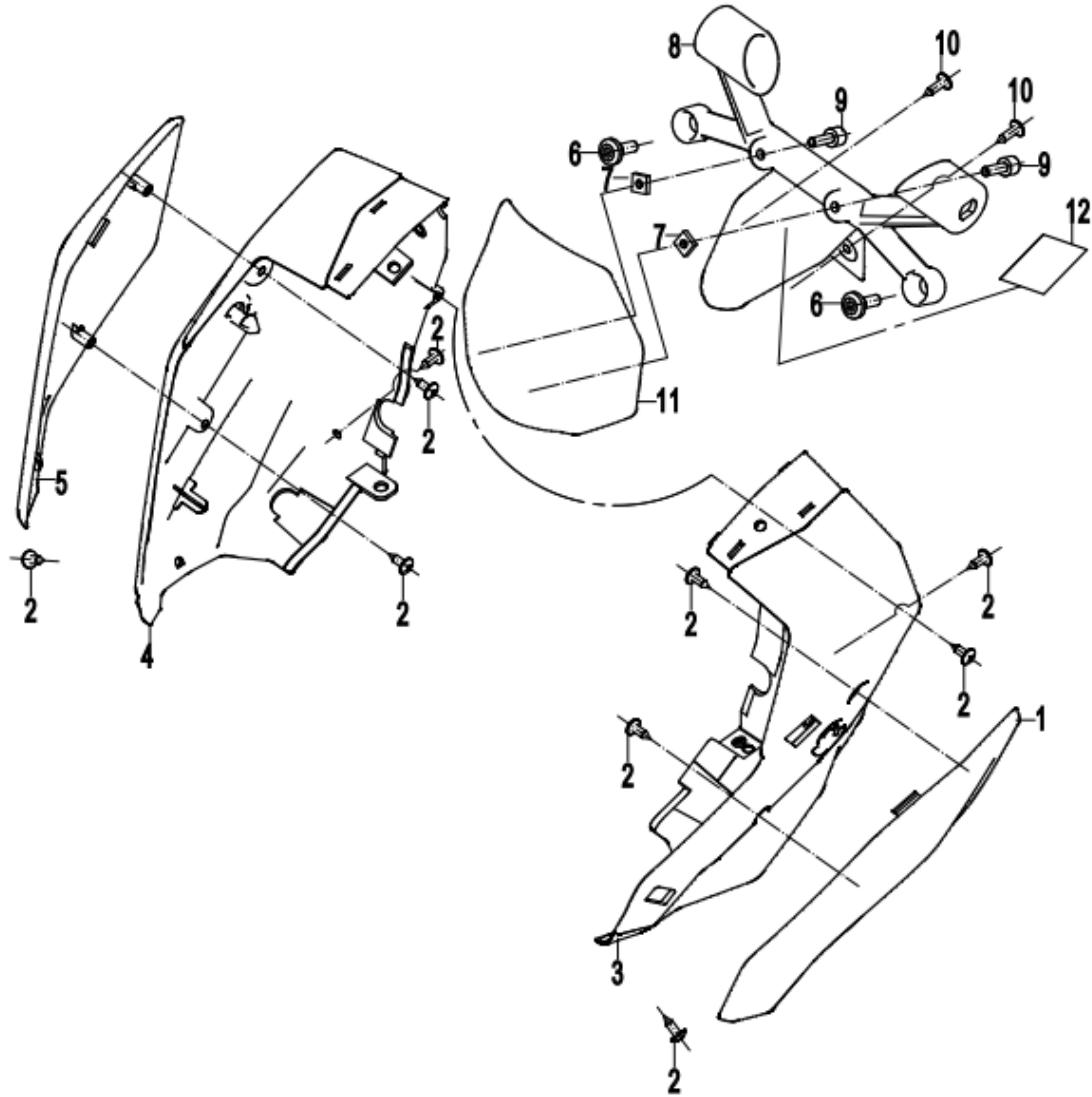
Item No	Parts Number	Parts Name(EN)	Parts Name(CN)	Qty	Specification
04	6KM0-140107	BOLT M8	凸台螺栓	4	M8
05	30204-102810	NUT M10x1.25	螺母	1	M10x1.25
06	6KM0-030006-1B200	RH MOUNTING BRACKET, ENGINE	发动机右安装支架	1	MATTE BLACK
07	6KM0-030005-1B200	LH MOUNTING BRACKET, ENGINE	发动机左安装支架	1	MATTE BLACK
08	30006-102110110	BOLT M10x1.25x110	螺栓	1	M10x1.25x110
09	30006-060012810	BOLT M6x12	螺栓	9	M6x12
10	6KM0-030020-0B200	BRACKET, ENGINE RH PANEL	发动机右护板安装支架	1	MATTE BLACK
11	6KM0-030010-0B200	BRACKET, ENGINE LH PANEL	发动机左护板安装支架	1	MATTE BLACK
12	6KM0-030310-0B200	SIDE BRACKET ASSY	侧支架焊接组件	1	MATTE BLACK
13	6090-030006	SPRING, SIDE STAND	侧支架拉簧	1	
14	30208-102010	NUT M10x1.25	螺母	1	M10x1.25
15	A000-030006	BOLT, SIDE STAND	侧支架螺栓	1	
16	6KJ0-030503	RUBBER PLUG	车架横管橡胶塞	2	
17	30006-080090810	BOLT M8x90	螺栓	1	M8x90
18	30204-080810	NUT M8	螺母	1	M8
19	6KM0-030030-0B200	BRACKET, CANISTER	炭罐安装支架	1	MATTE BLACK
20	A000-040302	RUBBER DAMPER	油箱外护罩缓冲橡胶	3	
21	6KM0-030050-0B200	ABS BRACKET	油杯安装支架	1	MATTE BLACK
22	8010-000004	BOLT M6x14	凸缘螺栓M6x14	2	M6x14
23	6KM0-030100-2B200	REAR MOUNTING ASSY,FUEL TANK	油箱后安装组件	1	MATTE BLACK
24	8080-040064	DAMPER, FRONT FENDER	前围缓冲橡胶套	1	
25	5BY0-040010	RUBBER SLEEVE	橡胶套	1	

F03-2 变档杆 GEARSHIFT LEVER



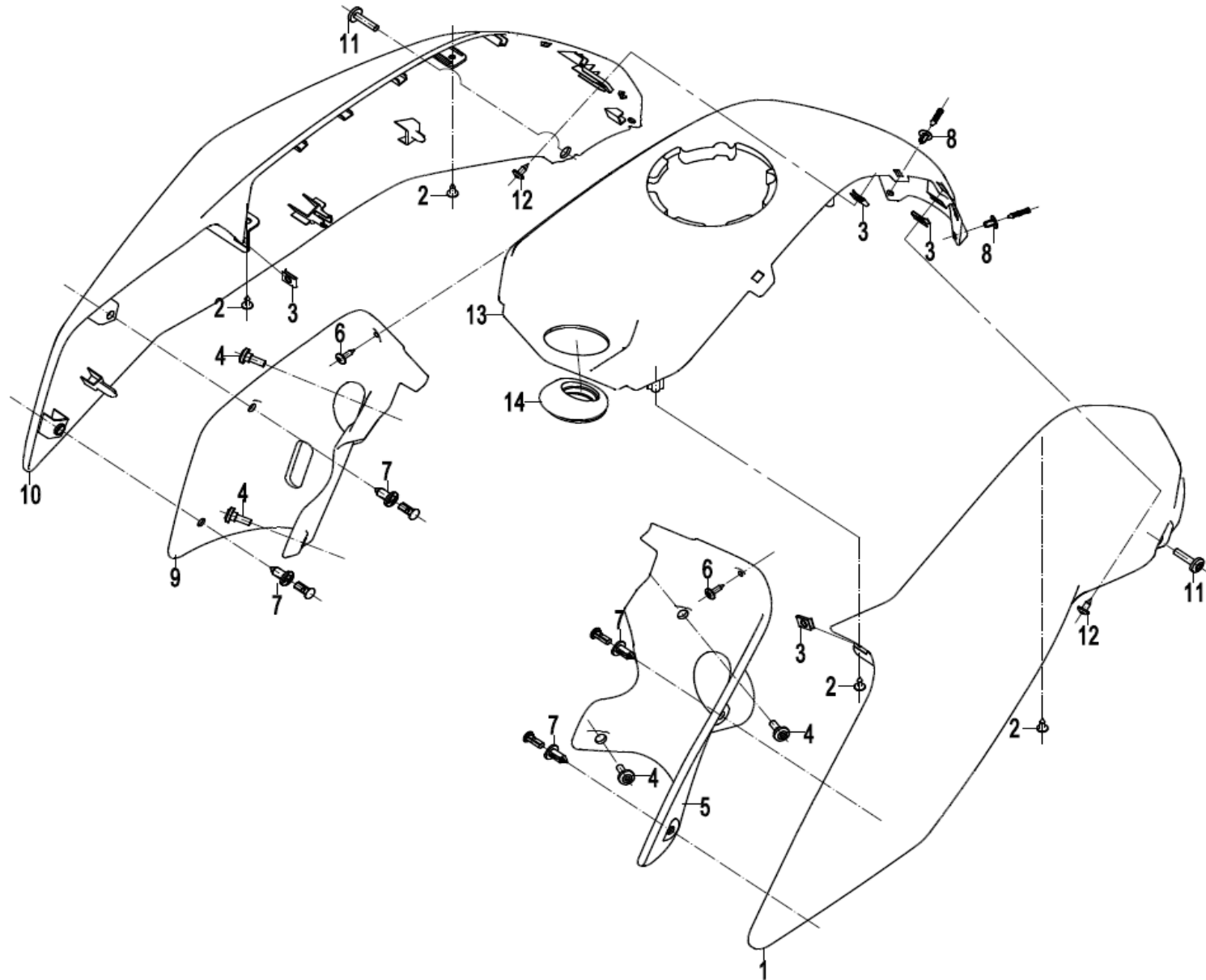
Item No	Parts Number	Parts Name(EN)	Parts Name(CN)	Qty	Specification
01	6KM0-030700	GEARSHIFT ROD	变档杆组合	1	
02	6NQ#-000206-6001	BOLT M6x16	内六角螺钉M6X16	1	M6x16
03	30303-060112	WASHER	垫圈	1	6
04	A000-080006-10000	GASKET 17x24x1.6	垫片17×24×1.6	1	7x24x1.6

塑料件1/PLASTICS1



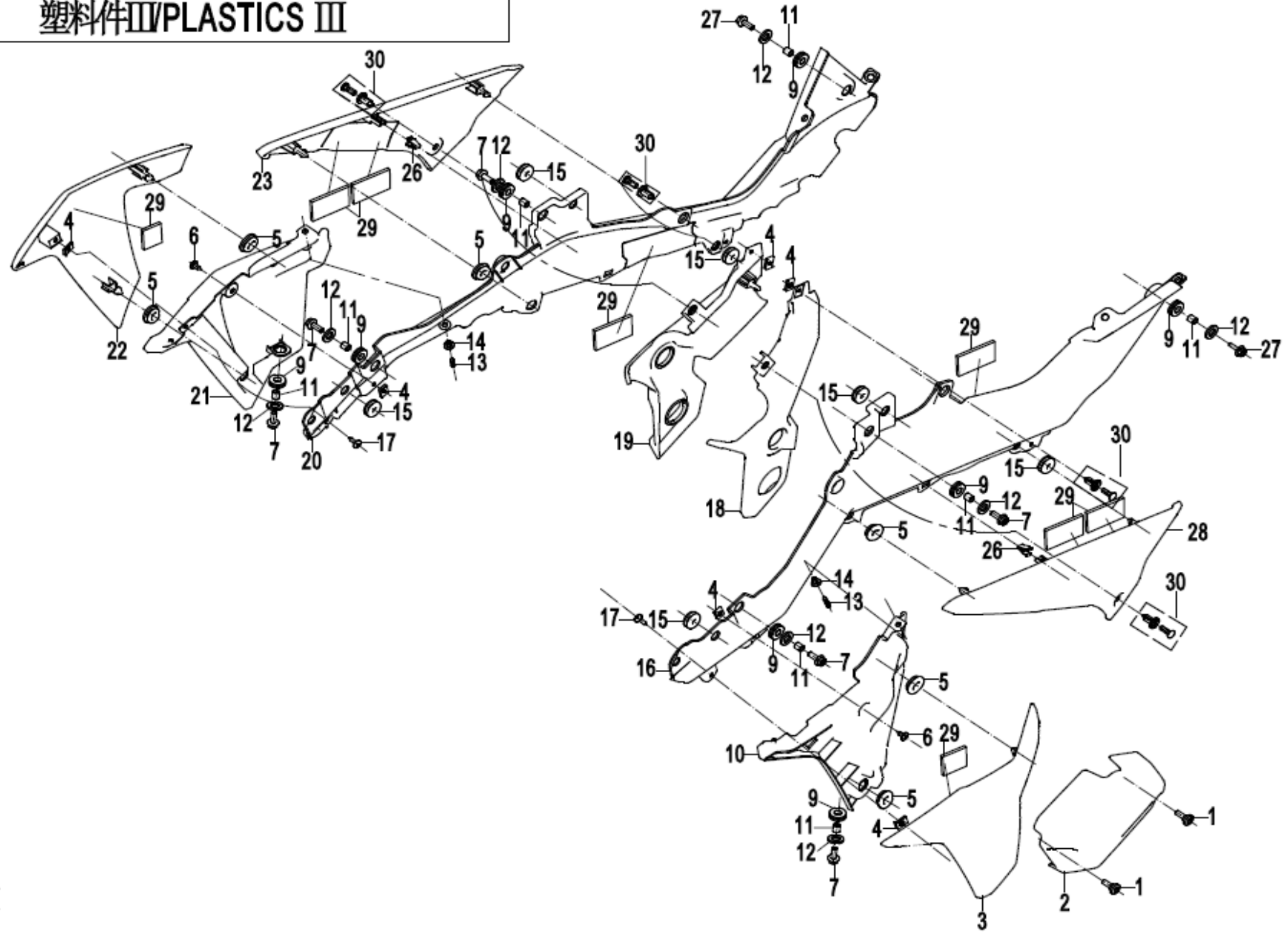
Item No	Parts Number	Parts Name(EN)	Parts Name(CN)	Qty	Specification
01	6KM0-040402-0BM00	LH PANEL, FRONT DEFLECTOR (NEBULA BLACK)	前导流罩左护板	1	BLACK BIKE
01	6KM0-040402-0VF00	LH PANEL, FRONT DEFLECTOR (MERCURY SILVER)	前导流罩左护板	1	SILVER BIKE
1	6KM0-040402-0EP00	LH PANEL, FRONT DEFLECTOR (TURQUOISE BLUE)	前导流罩左护板	1	30 ANNIVERSARY BIKE
02	30110-421130010	SELF-TAPPING SCREW ST4.2x13	自攻螺钉	9	ST4.2x13
03	6KM0-040401	FRONT AIR DEFLECTOR, LH	左前导流罩	1	
04	6KM0-040501	FRONT AIR DEFLECTOR, RH	右前导流罩	1	
05	6KM0-040502-0BM00	RH PANEL, FRONT DEFLECTOR (NEBULA BLACK)	前导流罩右护板	1	BLACK BIKE
05	6KM0-040502-0VF00	RH PANEL, FRONT DEFLECTOR (MERCURY SILVER)	前导流罩右护板	1	SILVER BIKE
5	6KM0-040502-0EP00	RH PANEL, FRONT DEFLECTOR (TURQUOISE BLUE)	前导流罩右护板	1	30 ANNIVERSARY BIKE
06	6KM0-060002	MOUNTING SCREW, CHAIN GUARD	链条护卡安装螺钉	2	
07	6KJ0-040402	NUT M5	方形螺母M5	2	M5
08	6KM0-044001	BRACKET, FRONT TURN LIGHT	前转向灯支架	1	
09	30102-050016810	SCREW M5x16	螺钉	2	M5x16
10	30110-420160010	SELF-TAPPING SCREW ST4.2x16	自攻螺钉	2	ST4.2x16
11	6KM0-040101	WINDSHIELD	挡风玻璃	1	
12	6KM0-044010	DOUBLE-SIDES TAPES	双面胶组合	1	

F04-2塑料件 II/PLASTICS II



Item No	Parts Number	Parts Name(EN)	Parts Name(CN)	Qty	Specification
01	6KM0-041001-1BM00	LH PANEL, FUEL TANK (NEBULA BLACK)	油箱左护板	1	FOR BLACK BIKE
01	6KM0-041001-1VF00	LH PANEL, FUEL TANK (MERCURY SILVER)	油箱左护板	1	FOR SILVER BIKE
01	6KM0-041001-1EQ00	LH PANEL, FUEL TANK (TURQUOISE BLUE+NEBULA BLACK)	油箱左护板	1	30 ANNIVERSARY VERSION
02	30110-421130010	SELF-TAPPING SCREW ST4.2x13	自攻螺钉	4	ST4.2x13
03	8080-000002	CLIP NUT ST4.8	夹板ST4.8	4	ST4.8
04	6KM0-060002	MOUNTING SCREW, CHAIN GUARD	链条护卡安装螺钉	4	
05	6KM0-040601-10000	FRONT INNER SIDE PLATE, LH	前左内侧板	1	
06	30110-480160010	SELF-TAPPING SCREW ST4.8x16	自攻螺钉	2	ST4.8x16
07	9060-040310	PLASTIC CLIPS	塑料卡组合	4	
08	8080-041132	PLASTIC SCREW	塑料膨胀螺钉组合	2	
09	6KM0-040701-10000	FRONT INNER SIDE PLATE, RH	前右内侧板	1	
10	6KM0-041101-1BM00	RH PANEL, FUEL TANK (NEBULA BLACK)	油箱右护板	1	FOR BLACK BIKE
10	6KM0-041101-1VF00	RH PANEL, FUEL TANK (MERCURY SILVER)	油箱右护板	1	FOR SILVER BIKE
10	6KM0-041101-1EQ00	RH PANEL, FUEL TANK (TURQUOISE BLUE+NEBULA BLACK)	油箱右护板	1	30 ANNIVERSARY VERSION
11	A000-040703	INNER HEX SCREW	内六角螺钉M6×20	2	M6x20
12	30110-481130010	SELF-TAPPING SCREW ST4.8x13	自攻螺钉	2	ST4.8x13
13	6KM0-040901	UPPER PANEL, FUEL TANK	油箱上护板	1	
14	6KM0-040902	DECO COVER, POWER LOCK	电源锁装饰盖	1	

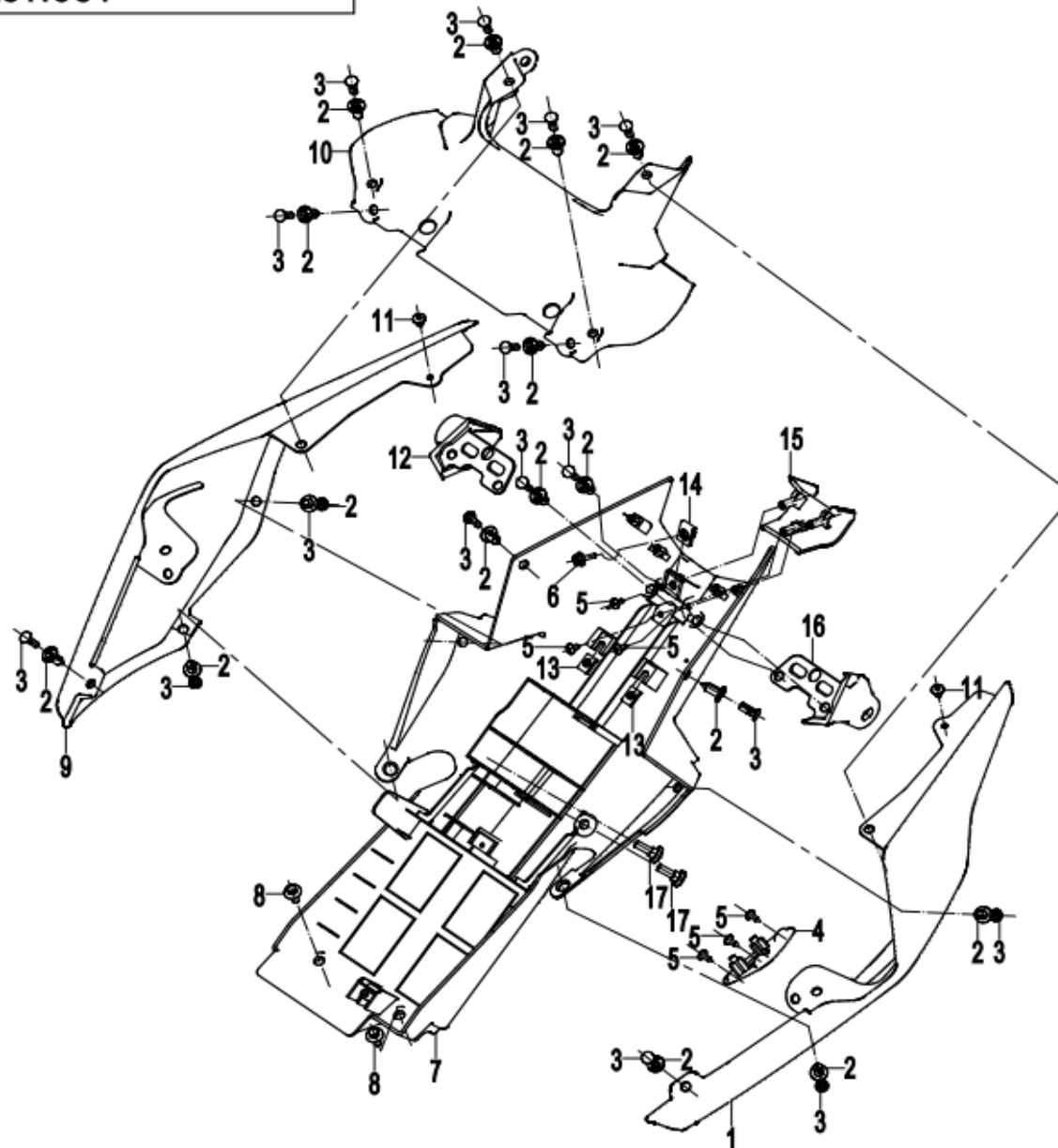
塑料件III/PLASTICS III



Item No	Parts Number	Parts Name(EN)	Parts Name(CN)	Qty	Specification
01	6KM0-060002	MOUNTING SCREW, CHAIN GUARD	链条护卡安装螺钉	2	
02	6KM0-043701	DECO COVER, CANISTER	破罐装饰盖	1	
03	6KM0-041202-0H300	LH OUTER PANEL, RESERVOIR TANK(SILVER BLACK)	水箱左外护板	1	BLACK BIKE
03	6KM0-041202-0BM00	LH OUTER PANEL, RESERVOIR TANK (NEBULA BLACK)	水箱左外护板	1	SILVER BIKE
03	6KM0-041202-0EQ00	LH OUTER PANEL, RESERVOIR TANK (TURQUOISE BLUE+NEBULA BLACK)	水箱左外护板	1	30 Anniversary Bike
04	8080-000002	CLIP NUT ST4.8	夹板ST4.8	5	ST4.8
05	8080-040064	DAMPER, FRONT FENDER	前围缓冲橡胶套	6	
06	30110-481130010	SELF-TAPPING SCREW ST4.8x13	自攻螺钉	2	ST4.8x13
07	30006-060020810	BOLT M6x20	螺栓	6	M6x20
08	9060-040310	PLASTIC CLIPS	塑料卡组合	2	
09	9010-160101	RUBBER MAT, HEADLIGHT	前照灯胶垫	8	
10	6KM0-041201	LH INNER PANEL, RESERVOIR TANK	水箱左内护板	1	
11	6090-040303	BUSHING	衬套	8	
12	0700-022016	WASHER 10.5x19x2.3	垫圈	8	10.5x19x2.3
13	8080-041131	PLASTIC STUD	塑料膨胀螺钉柱	2	
14	8080-041132	PLASTIC SCREW	塑料膨胀螺钉组合	2	
15	A000-040302	RUBBER DAMPER	油箱外护罩缓冲橡胶	6	
16	6KM0-041601-1H300	LH PANEL (SILVER BLACK)	左护板	1	SILVER BIKE
16	6KM0-041601-1H700	LH PANEL (MATTE SILVER)	左护板	1	BLACK BIKE
16	6KM0-041601-2EQ00	LH PANEL(TURQUOISE BLUE+NEBULA BLACK)	左护板	1	30 Anniversary Bike
17	30110-481130010	SELF-TAPPING SCREW ST4.8x13	自攻螺钉	3	ST4.8x13
18	6KM0-043001-10000	LH PANEL, FRAME	车架左护板	1	
19	6KM0-043101-10000	RH PANEL,FRAME	车架右护板	1	
20	6KM0-041701-1H300	RH PANEL (SILVER BLACK)	右护板	1	SILVER BIKE
20	6KM0-041701-1H700	RH PANEL (SILVER GREY)	右护板	1	BLACK BIKE
20	6KM0-041701-2EQ00	RH PANEL (TURQUOISE BLUE+NEBULA BLACK)	右护板	1	30 Anniversary Bike
21	6KM0-041301	RH INNER PANEL, RESERVOIR TANK	水箱右内护板	1	
22	6KM0-041302-0H300	RH OUTER PANEL, RESERVOIR TANK (SILVER BLACK)	水箱右外护板	1	BLACK BIKE
22	6KM0-041302-0BM00	RH OUTER PANEL, RESERVOIR TANK (NEBULA BLACK)	水箱右外护板	1	SILVER BIKE
22	6KM0-041302-0EQ00	RH OUTER PANEL, RESERVOIR TANK (TURQUOISE BLUE+NEBULA BLACK)	水箱右外护板	1	30 Anniversary Bike
23	6KM0-042001	LOWER RH DECO STRIP	下右装饰条	1	

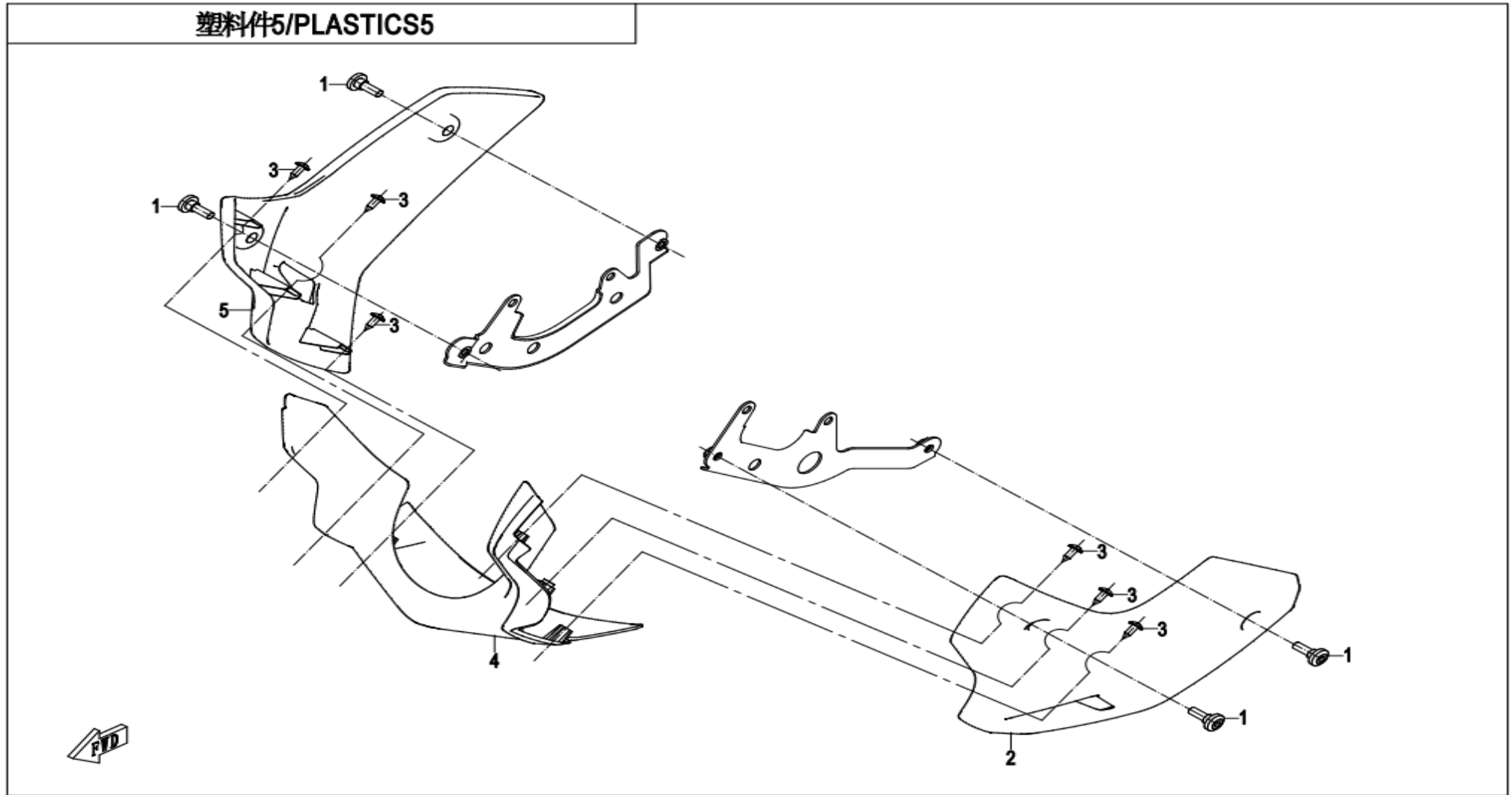
Item No	Parts Number	Parts Name(EN)	Parts Name(CN)	Qty	Specification
24	30118-420095010	SELF-TAPPING SCREW ST4.2x9.5	自攻螺钉	1	ST4.2x9.5
25	8010-000002	CLAMP ST4.2	夹板ST4.2	1	ST4.2
26	8080-000001	CLASP	卡扣	2	
27	30006-060016810	BOLT M6x16	螺栓	2	M6x16
28	6KM0-041901	LOWER LH DECO STRIP	下左装饰条	1	
29	9010-120008	SPONGE PAD, FUEL TANK	油箱海绵块	8	

塑料件4/PLASTICS4



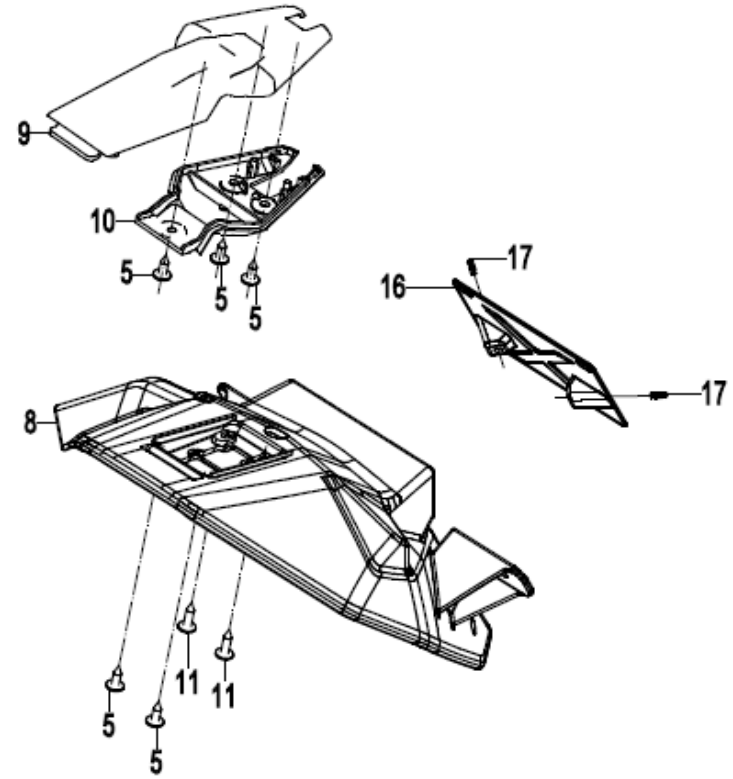
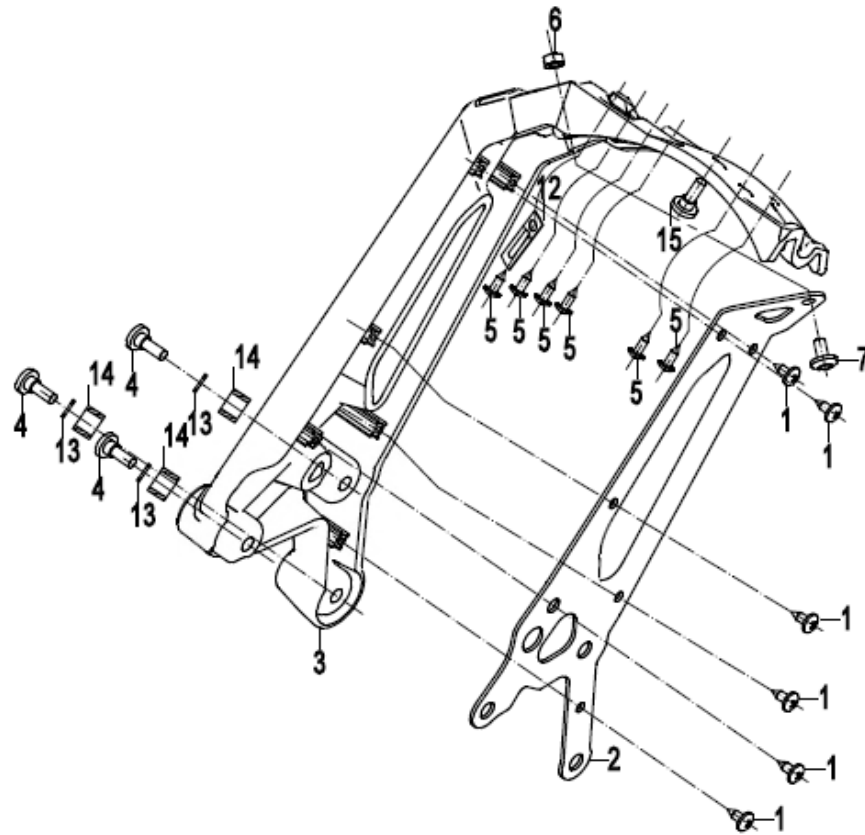
Item No	Parts Number	Parts Name(EN)	Parts Name(CN)	Qty	Specification
01	6KM0-044201-0BM00	REAR LH DECO PLATE (NEBULA BLACK)	后左装饰板	1	FOR BLACK BIKE
01	6KM0-044201-0VF00	REAR LH DECO PLATE (PAINTED ULTRA SILVER)	后左装饰板	1	SILVER BIKE & 30 ANNIVERSARY
02	9060-040312	SEAT, PLASTIC CLIP	塑料卡座	16	
03	9060-040311	PLASTIC CLIP	塑料卡	16	
04	6KM0-044401	SEAT, SEAT LOCK	座垫锁座	1	
05	30110-421130010	SELF-TAPPING SCREW ST4.2x13	自攻螺钉	6	ST4.2x13
06	30006-060016810	BOLT M6x16	螺栓	1	M6x16
07	6KM0-042401	REAR BASE PLATE	后底板	1	
08	8010-000004	BOLT M6x14	凸缘螺栓M6×14	2	M6x14
09	6KM0-044301-0BM00	REAR RH DECO PLATE (NEBULA BLACK)	后右装饰板	1	FOR BLACK BIKE
09	6KM0-044301-0VF00	REAR RH DECO PLATE (PAINTED ULTRA SILVER)	后右装饰板	1	SILVER BIKE & 30 ANNIVERSARY
10	6KM0-043201	SUPPORT PLATE, SEAT	坐垫支撑板	1	
11	30110-481130010	SELF-TAPPING SCREW ST4.8x13	自攻螺钉	2	ST4.8x13
12	6KM0-043402	RH BRACKET, REAR TURN LIGHT	后转向灯右支架	1	
13	8080-000002	CLIP NUT ST4.8	夹板ST4.8	2	ST4.8
14	8030-040800-00001	NUT CLIP M6	M6螺母夹	1	M6
15	6KM0-043403	BRACKET COVER, REAR TURN LIGHT	后转向灯支架盖板	1	
16	6KM0-043401	LH BRACKET, REAR TURN LIGHT	后转向灯左支架	1	
17	6KM0-060002	MOUNTING SCREW, CHAIN GUARD	链条护卡安装螺钉	2	

F04-5 塑料件5 PLASTICS5



Item No	Parts Number	Parts Name(EN)	Parts Name(CN)	Qty	Specification
01	6KM0-060002	MOUNTING SCREW, CHAIN GUARD	链条护卡安装螺钉	4	
02	6KM0-042101	LH PANEL, ENGINE	发动机左护板	1	
03	30110-421130010	SELF-TAPPING SCREW ST4.2x13	自攻螺钉	6	ST4.2x13
04	6KM0-042201	MIDDLE PANEL, ENGINE	发动机中护板	1	
05	6KM0-042301	RH PANEL, ENGINE	发动机右护板	1	

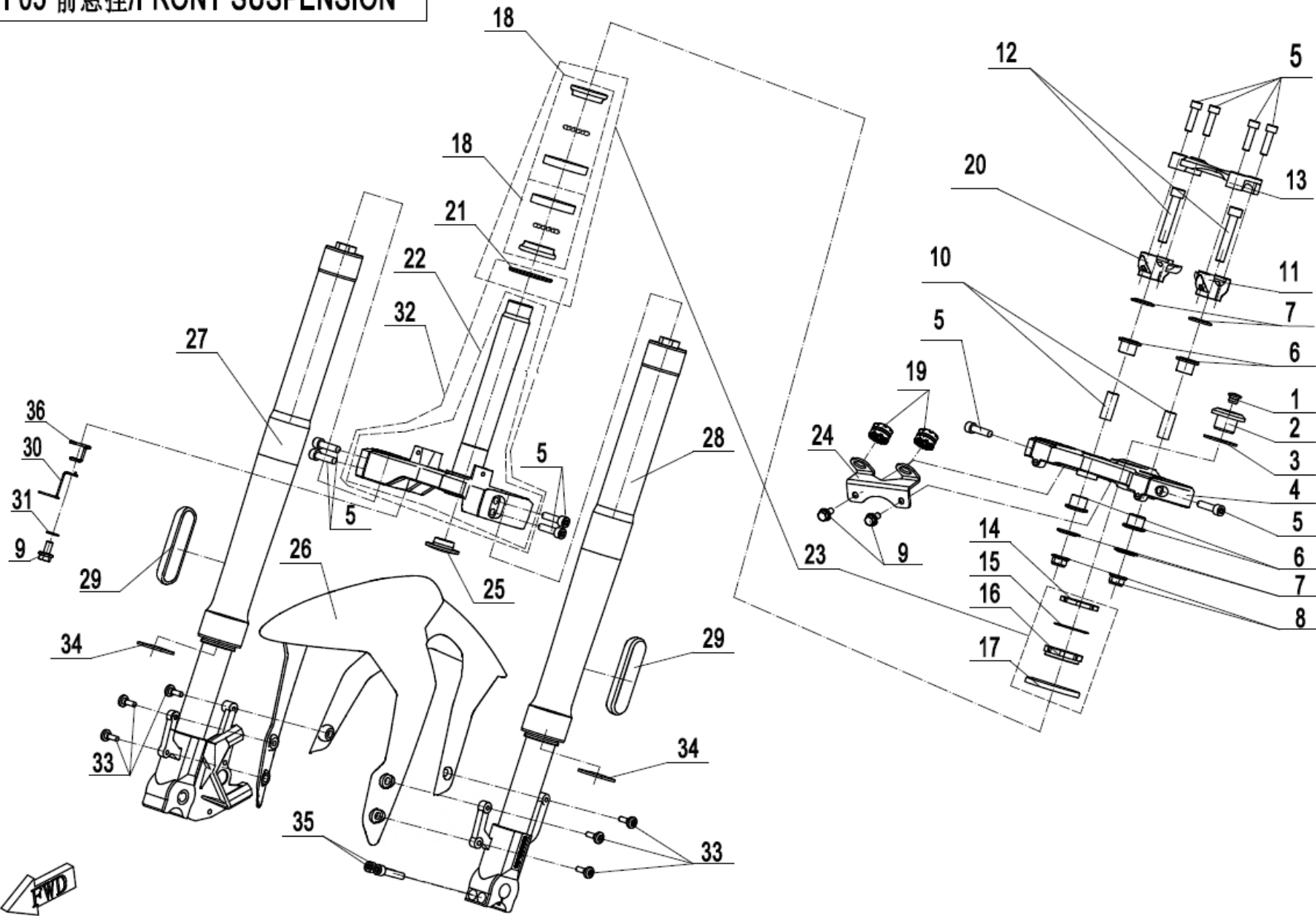
塑料件4 / PLASTICS 4



Item No	Parts Number	Parts Name(EN)	Parts Name(CN)	Qty	Specification
01	30110-480160010	SELF-TAPPING SCREW ST4.8x16	自攻螺钉	6	ST4.8x16
02	6KM0-030003-1B200	REINFORCEMENT PLATE, REAR FENDER BRACKET	后挡泥板支架加强板	1	MATTE BLACK
03	6KM0-042601-20000	BRACKET, REAR FENDER	后挡泥板支架	1	
04	6KM0-060002	MOUNTING SCREW, CHAIN GUARD	链条护卡安装螺钉	3	
05	30110-421130010	SELF-TAPPING SCREW ST4.2x13	自攻螺钉	11	ST4.2x13
06	30200-060810	NUT	螺母	1	M6
07	A000-040702	INNER HEX SCREW M6x12	内六角螺钉M6×12	1	M6x12
08	6KM0-042602-20000	REAR FENDER	后挡泥板	1	
09	6KM0-043801	UPPER COVER, LICENCE LIGHT	牌照灯上盖	1	
10	6KM0-043901	LOWER COVER, LICENCE LIGHT	牌照灯下盖	1	
11	30110-420160010	SELF-TAPPING SCREW ST4.2x16	自攻螺钉	2	ST4.2x16
12	0180-014010	WIRE CLAMP	线夹组合	1	
13	0700-024106	WASHER	垫圈	3	11.5x17x2
14	A000-050014	BUSHING	衬套	3	
15	A000-040703	INNER HEX SCREW	内六角螺钉M6×20	1	M6x20
16	6KM#-045001-6000	FIXED PLATE, LICENSE	牌照固定板	1	
17	9060-040310	PLASTIC CLIPS	塑料卡组合	2	

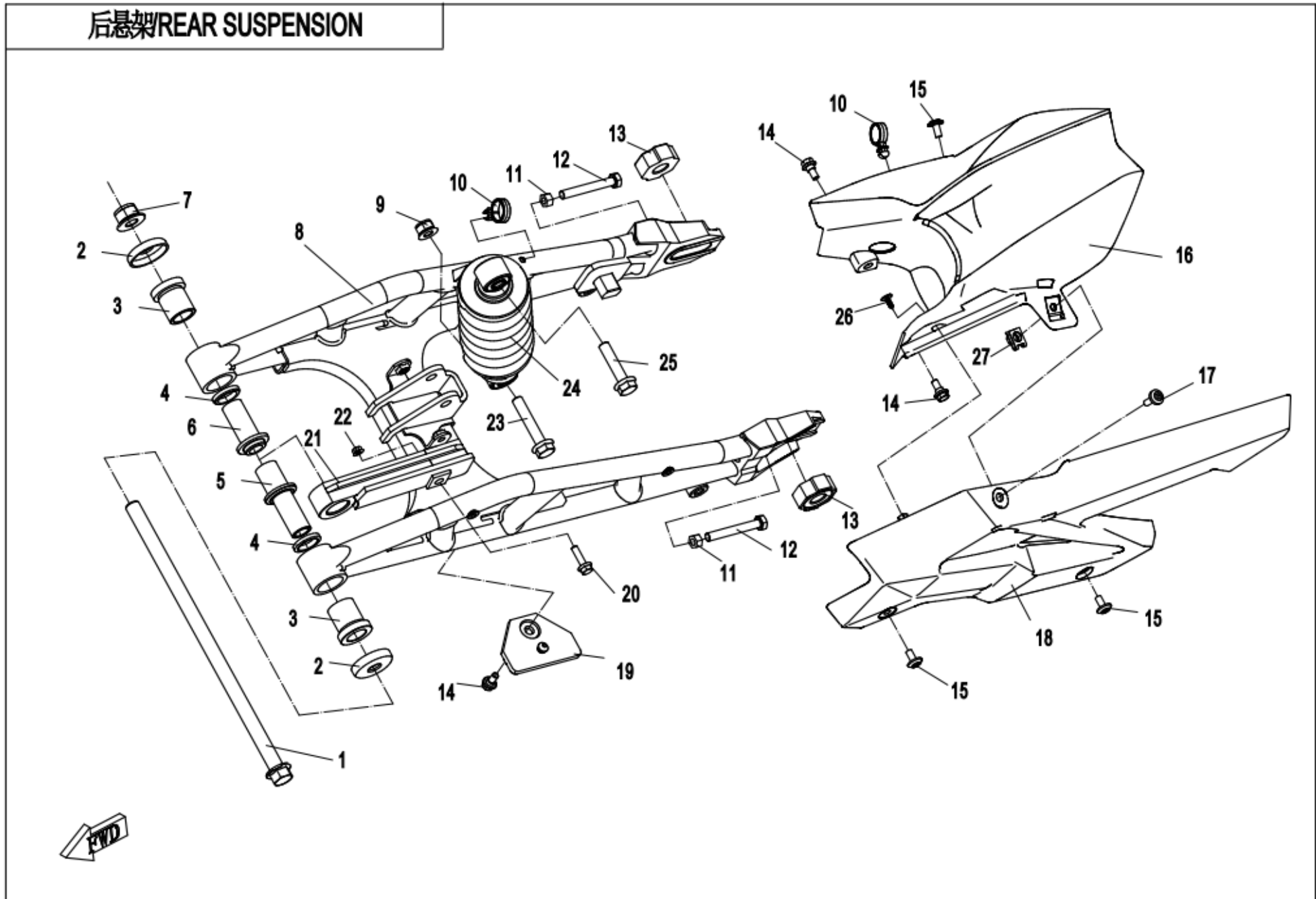
F05 前悬架 FRONT SUSPENSION

F05 前悬挂/Front Suspension



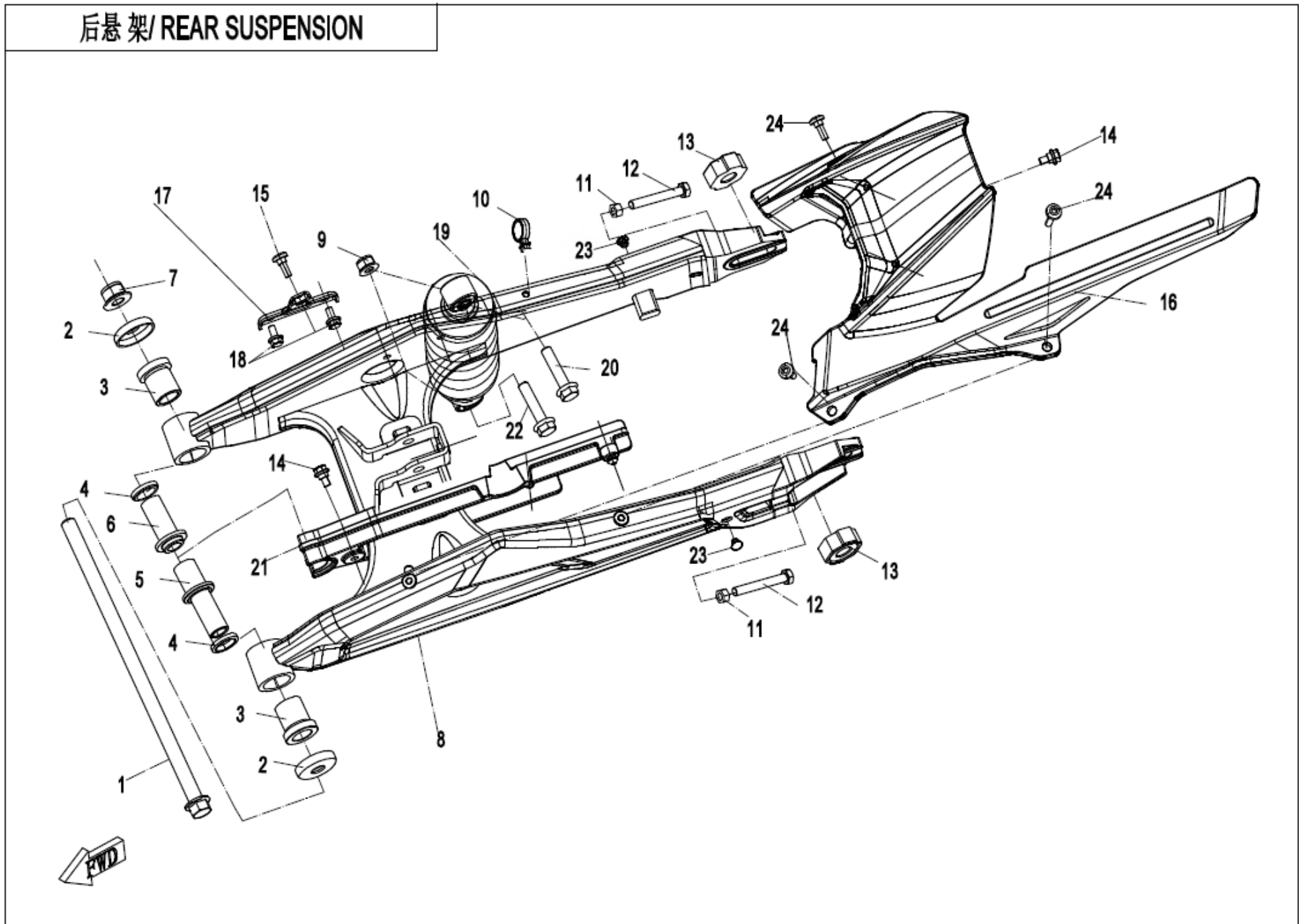
Item No	Parts Number	Parts Name(EN)	Parts Name(CN)	Qty	Specification
01	A000-050005	RUBBER PLUG 1	橡胶塞I	1	
02	A000-050003	FIXING SCREW, UPPER TRIPLE CLAMP	上连板紧固螺钉	1	
03	A000-050004	WASHER	垫圈	1	5
04	6KJ0-050001-1H300	UPPER TRIPLE CLAMP	上连板	1	MATTE SILVER BLACK
05	30102-080030860	INNER HEX SCREW M8x30	螺钉	10	M8x30
06	6KJ0-050004	DAMPER RUBBER, UPPER TRIPLE CLAMP	上连板缓冲橡胶	4	
07	6KJ0-050005	WASHER	垫圈	4	
08	30204-102810	NUT M10x1.25	螺母	2	M10x1.25
09	30006-060012810	BOLT M6x12	螺栓	3	M6x12
10	6KJ0-050006-00001	LINER, UPPER TRIPLE CLAMP	上连板衬管	2	
11	6KM0-050002-0H300	LH SUPPORT, HANDLEBAR	方向把左支承座	1	SILVER BLACK
12	30102-102060810	SCREW M10x1.25x60	螺钉	2	M10x1.25x60
13	6KJ0-050002-1H300	HANDLEBAR COVER	方向把压盖	1	MATTE SILVER BLACK
14	A000-050006	LOCK NUT 1	锁紧螺母I	1	
15	A000-050008	WASHER	垫圈	1	5
16	A000-050007	LOCK NUT 2	锁紧螺母II	1	
17	A000-050009	DUST CAP, UPPER RETAINER	上挡圈防尘盖	1	
18	A000-050100-10000	STEERING BEARING ASSY	转向轴承组合	2	
19	5020-031001	RUBBER SLEEVE, FRONT LICENSE BRACKET	前牌照支架橡胶胶套	2	
20	6KM0-050003-0H300	RH SUPPORT, HANDLEBAR	方向把右支承座	1	SILVER BLACK
21	A000-050400	ANTI-DUST CAP, LOWER RETAINING RING	下挡圈防尘盖组件	1	
22	6KJ0-050300-0H300	LOWER TRIPLE CLAMP, FRONT FORK PIPE	前叉管下联板组合	1	SILVER BLACK
24	6KM0-030002-0B200	HEADLIGHT BRACKET	前照灯安装支架	1	MATTE BLACK
25	A000-050011	RUBBER PLUG 2	橡胶塞II	1	
26	6KJ0-050009-1BM00	FRONT FENDER (NEBULA BLACK)	前挡泥板	1	BLACK BIKE AND SILVER BIKE
26	6KM#-050009-6000-0EQ00	FRONT FENDER (TORQUISE BLUE+BLACK)	前挡泥板	1	30 ANNIVERSARY
27	6KM0-050200	FRONT SHOCK ABSORBER, RH	前右减震器	1	
28	6KM0-050100	FRONT SHOCK ABSORBER, LH	前左减震器	1	
29	6KJV-160920-8001-M1	SIDE REFLECTOR	侧反射器	2	
30	6KJ0-050012	LIMIT WIRE, FRONT BRAKE HOSE	前制动油管限位钢丝	1	
31	30306-060112	WASHER	垫圈	1	6
33	6KM0-060002	MOUNTING SCREW, CHAIN GUARD	链条护卡安装螺钉	6	
34	6KJ0-050410	OIL SEAL	油封	2	

Item No	Parts Number	Parts Name(EN)	Parts Name(CN)	Qty	Specification
35	30102-080040810	SCREW M8x40	螺钉	2	M8x40
36	6KJ0-050011	FIXING WIRE, FRONT BRAKE HOSE	前制动油管固定钢丝	1	



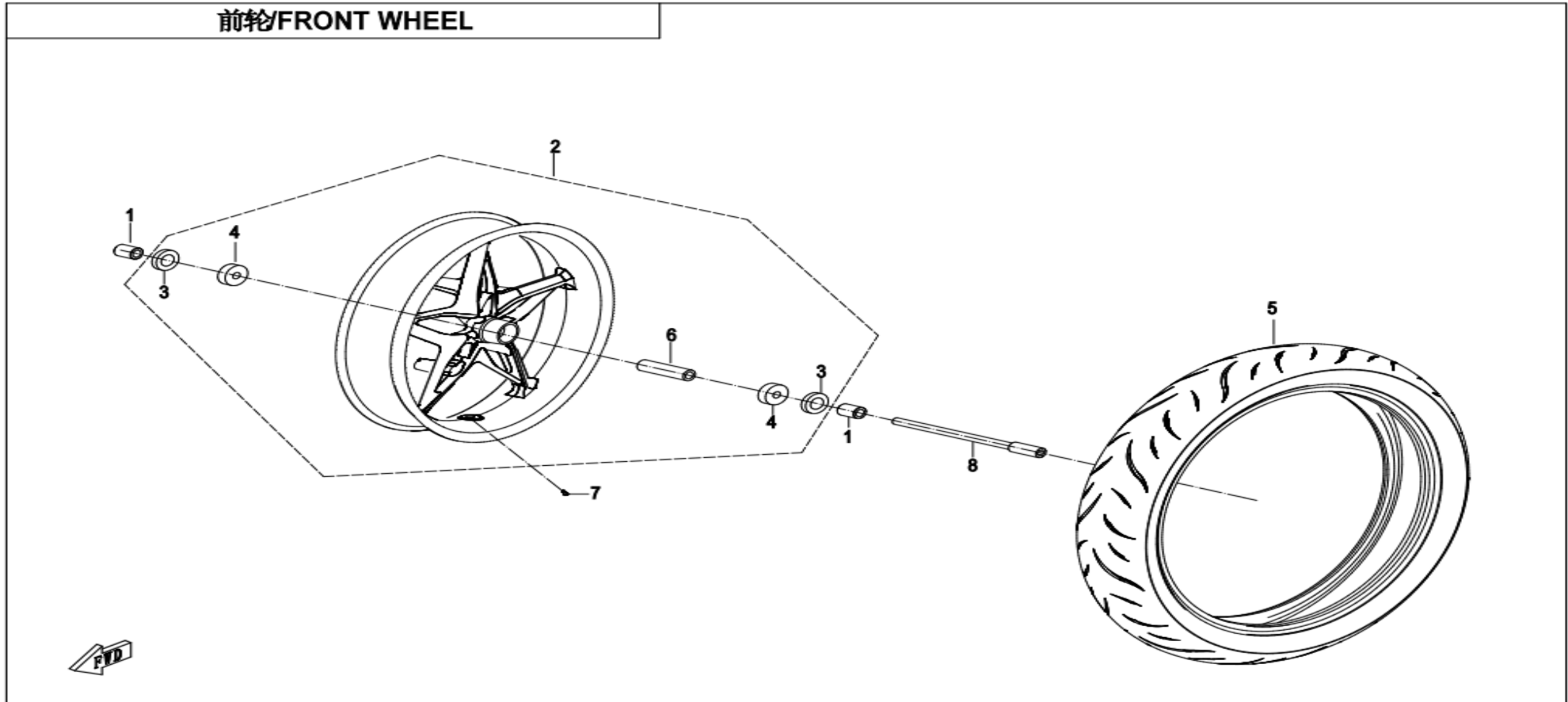
Item No	Parts Number	Parts Name(EN)	Parts Name(CN)	Qty	Specification
01	6KM0-060001-10000	REAR FORK SHAFT	后平叉轴	1	
02	6090-060010	DUST CAP, REAR FORK	后摇架防尘盖	2	
03	6100-060008	OUTER BUSHING, REAR SWING ARM	后摇架外衬套	2	
04	6090-060005	ANTI-DUST RING	防尘圈	2	
05	6KJ0-060003-00001	LH INNER BUSHING, REAR SWING ARM	后平叉左内衬套	1	
06	6KJ0-060004-00001	RH INNER BUSHING, REAR FORK	后平叉右内衬套	1	
07	30204-143810	NUT M14x1.5	螺母	1	M14x1.5
08	6KM0-060100-1BB00	REAR FORK	后平叉焊接组件	1	ELECTROPHORESIS+PLASTIC POWDER
09	30204-102810	NUT M10x1.25	螺母	1	M10x1.25
10	A000-050015	WIRE CLIP, FRONT BRAKE FLUID HOSE	前制动油管夹	2	
11	30200-080810	NUT M8	螺母	2	M8
12	30004-080060810	BOLT M8x60	螺栓	2	M8x60
13	6KJ0-060002-1BB00	ADJUSTING BLOCK	调节块	1	PLASTIC POWDER
14	8010-000004	BOLT M6x14	凸缘螺栓M6×14	3	M6x14
15	A000-040702	INNER HEX SCREW M6x12	内六角螺钉M6×12	3	M6x12
16	6KM0-060006	REAR INNER FENDER	后内挡泥板	1	
17	6NQ#-000206-6001	BOLT M6x16	内六角螺钉M6X16	1	M6x16
18	6KM0-060005	CHAIN COVER	链条罩	1	
19	6KJ0-060001-10000	CHAIN GUARD II	链条护卡II	1	
20	30006-060022810	BOLT	螺栓	1	@
21	6KJ0-060210-20000	CHAIN GUARD	链条护卡	1	
22	30202-060110	NUT M6	螺母	1	M6
23	30006-102050810	BOLT M10x1.25x50	螺栓	1	M10x1.25x50
24	6KM0-060200-00001	REAR SHOCK ABSORBER	后减震器	1	
25	30006-102045810	BOLT M10x1.25x45	螺栓	1	M10x1.25x45
26	30110-421130010	SELF-TAPPING SCREW ST4.2x13	自攻螺钉	1	ST4.2x13
27	8030-040800-00001	NUT CLIP M6	M6螺母夹	1	M6

后悬架/ REAR SUSPENSION



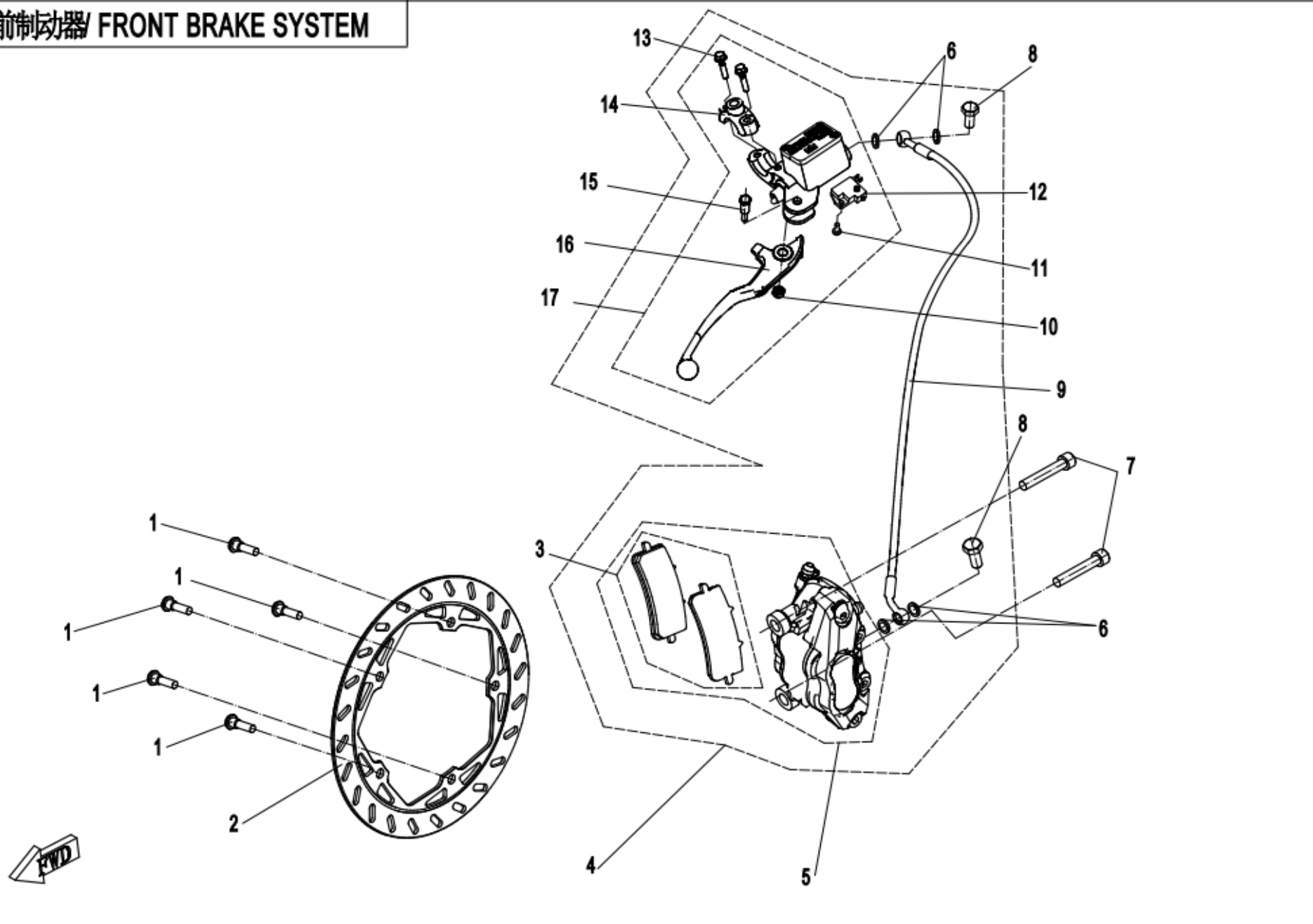
Item No	Parts Number	Parts Name(EN)	Parts Name(CN)	Qty	Specification
01	6KM0-060001-10000	REAR FORK SHAFT	后平叉轴	1	
02	6090-060010	DUST CAP, REAR FORK	后摇架防尘盖	2	
03	6100-060008	OUTER BUSHING, REAR SWING ARM	后摇架外衬套	2	
04	6090-060005	ANTI-DUST RING	防尘圈	2	
05	6KJ0-060003-00001	LH INNER BUSHING, REAR SWING ARM	后平叉左内衬套	1	
06	6KJ0-060004-00001	RH INNER BUSHING, REAR FORK	后平叉右内衬套	1	
07	30204-143810	NUT M14x1.5	螺母	1	M14x1.5
08	6KM0-060300-0BB00	REAR FORK	后平叉焊接组件	1	PLASTIC POWDER
09	30204-102810	NUT M10x1.25	螺母	1	M10x1.25
10	A000-050015	WIRE CLIP, FRONT BRAKE FLUID HOSE	前制动油管夹	2	
11	30200-080810	NUT M8	螺母	2	M8
12	30004-080060810	BOLT M8x60	螺栓	2	M8x60
13	6KJ0-060002-1BB00	ADJUSTING BLOCK	调节块	2	PLASTIC POWDER
14	8010-000004	BOLT M6x14	凸缘螺栓M6×14	2	M6x14
15	A000-040702	INNER HEX SCREW M6x12	内六角螺钉M6×12	1	M6x12
16	6KMV-060007-6001	REAR INNER FENDER	后内挡泥板	1	
17	6KM0-060410	BRACKET, FENDER	挡泥板安装支架组合	1	ELECTROPHORESIS BLACK
18	30006-060012810	BOLT M6x12	螺栓	2	M6x12
19	6KM0-060200-00001	REAR SHOCK ABSORBER	后减震器	1	
20	30006-102045810	BOLT M10x1.25x45	螺栓	1	M10x1.25x45
21	6KM0-060201	CHAIN GUIDE	链条护卡	1	
22	30006-102050810	BOLT M10x1.25x50	螺栓	1	M10x1.25x50
23	6KM#-100002-8000	RUBBER PLUG, CLUTCH LEVER	离合手柄胶塞	2	
24	6KM0-060002	MOUNTING SCREW, CHAIN GUARD	链条护卡安装螺钉	3	

F07-V1 前轮 FRONT WHEEL



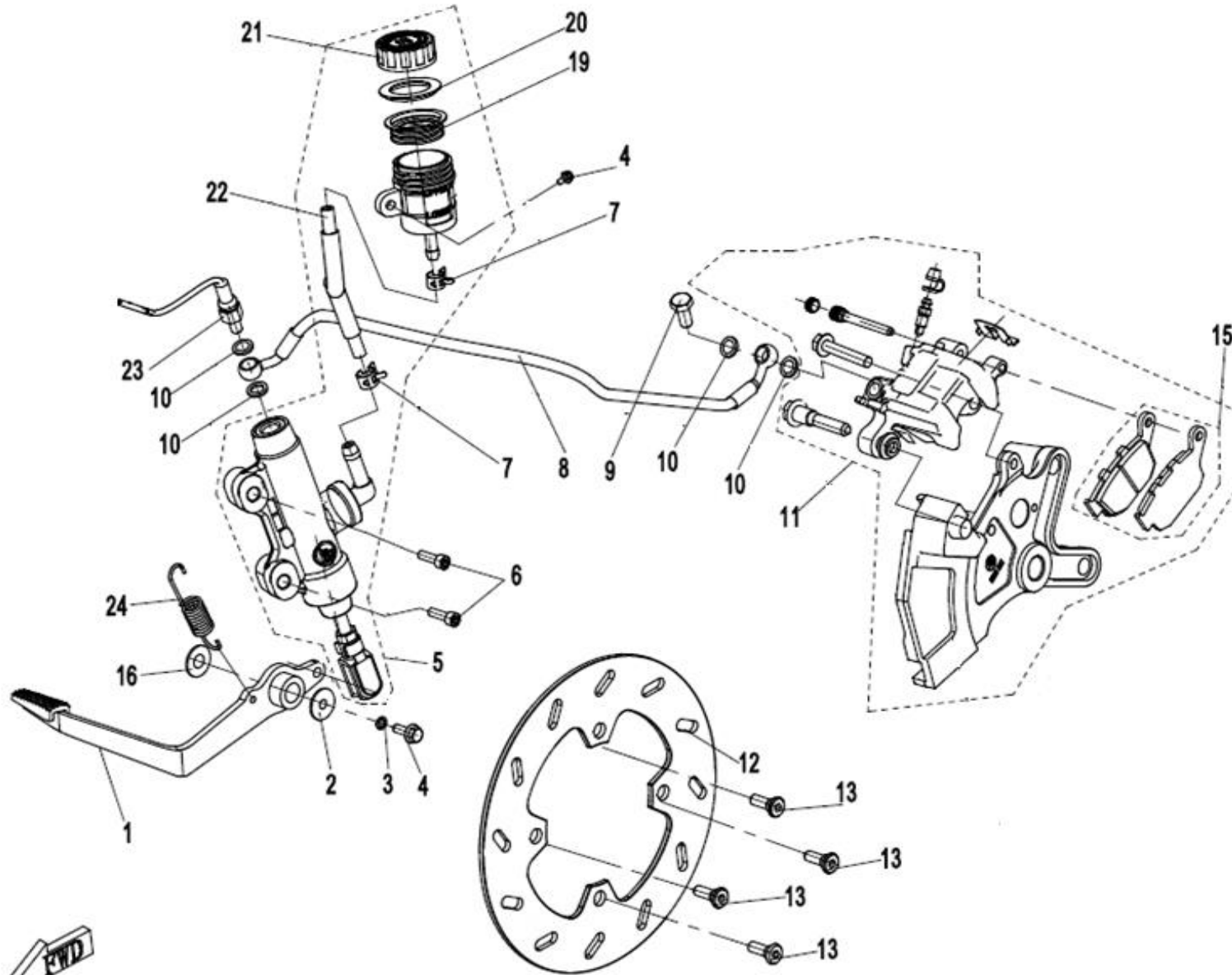
Item No	Parts Number	Parts Name(EN)	Parts Name(CN)	Qty	Specification
01	6KJ0-070002	COLLAR, FRONT WHEEL AXLE	前轮轴套	2	
02	6KM0-070100-0B200	FRONT RIM 17x3.5MT (MATTE BLACK)	前轮辋组合17×3.5MT	1	FOR BLACK BIKE, 30 ANNIVERSARY
02	6KM0-070100-0E800	FRONT RIM 17x3.5MT (CORAL BLUE)	前轮辋组合17×3.5MT	1	FOR SILVER BIKE
03	6KJ0-070024	OIL SEAL	油封	2	
04	30400-01281	BEARING	滚动轴承	2	6301-2RS
05	3070SH-172300	FRONT TIRE	前轮胎	1	110/70R17M/C54S, CST, ENVIRONMENTAL VACUUM TIRE
06	6KJ0-070022	MIDDLE BUSHING, FRONT RIM	前轮辋中隔套	1	
07	5190-070030-1000	VALVE, INFLATION	气门嘴	1	
08	6KJ0-070001-10000	AXLE, FRONT WHEEL	前轮轴	1	

前制动器/ FRONT BRAKE SYSTEM



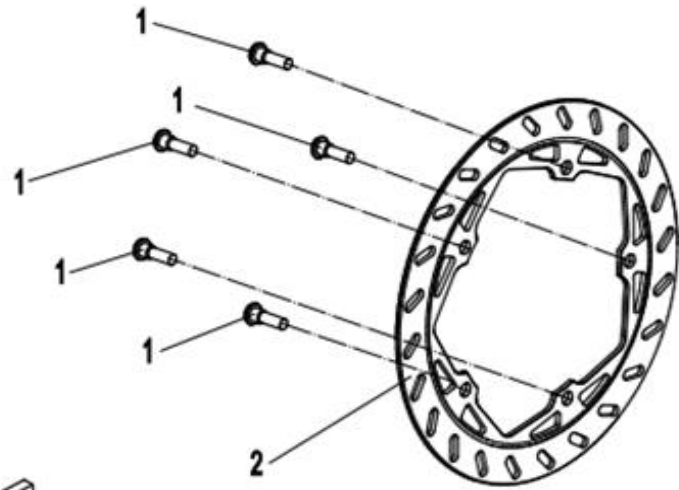
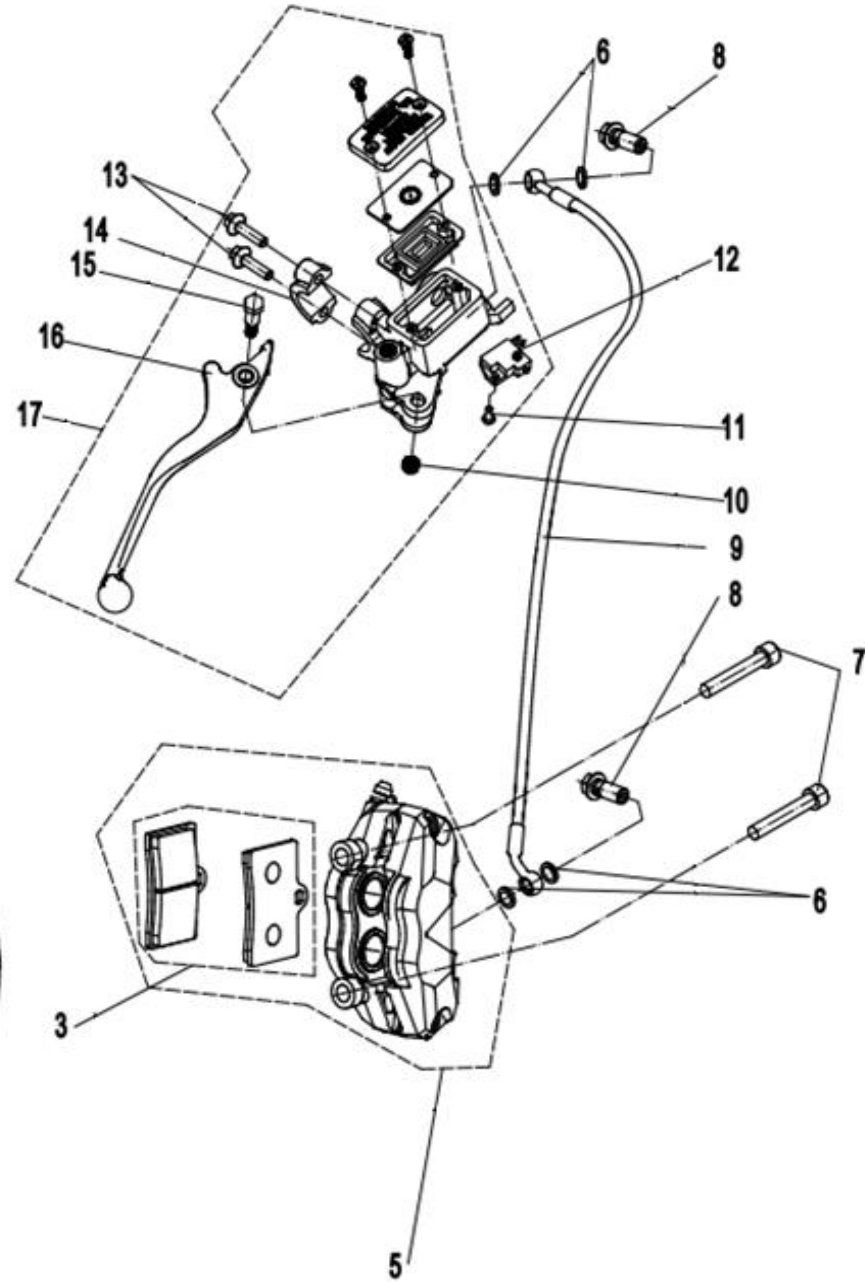
Item No	Parts Number	Parts Name(EN)	Parts Name(CN)	Qty	Specification
01	6KJ0-080005	FRONT BRAKE DISC BOLT	前制动盘螺栓	5	
02	6KJ0-080001-20000	FRONT BRAKE DISC	前制动盘	1	
03	6KJ0-0842A0	FRONT BRAKE PAD ASSY	前制动片组合	1	ABS
04	6KM0-081000	BRACKET, ENGINE LH PROTECTION PLATE	前液压制动器	1	ABS
05	6KJ0-084200	FRONT CALIPER ASSY	前钳体组合	1	ABS
06	A000-080102-2000	WASHER	垫圈	4	M10x1.25x60
07	30102-102060810	SCREW M10x1.25x60	螺钉	2	
08	A000-080103-2000	BANJO BOLT 2	过油螺栓II	2	
09	6KM0-081010	FRONT BRAKE FLUID HOSE ASSY	前制动油管组合	1	
10	30209-060810	NUT M6	螺母	1	
11	30116-040010440	SCREW ASSY M4x10	螺钉组合件	1	
12	6KJ0-084104	SWITCH, BRAKE LIGHT	刹车灯开关	1	
13	30006-060025810	BOLT	螺栓	2	
14	6KJ0-084105	HALF CAP	半盖	1	
15	6KJ0-084111	SHAFT PIN	销轴	1	
16	6KJ0-084108	FRONT BRAKE LEVER	前制动手柄	1	
17	6KJ0-084100	HAND BRAKE PUMP	手刹主泵	1	ABS

后制动/ REAR BRAKE

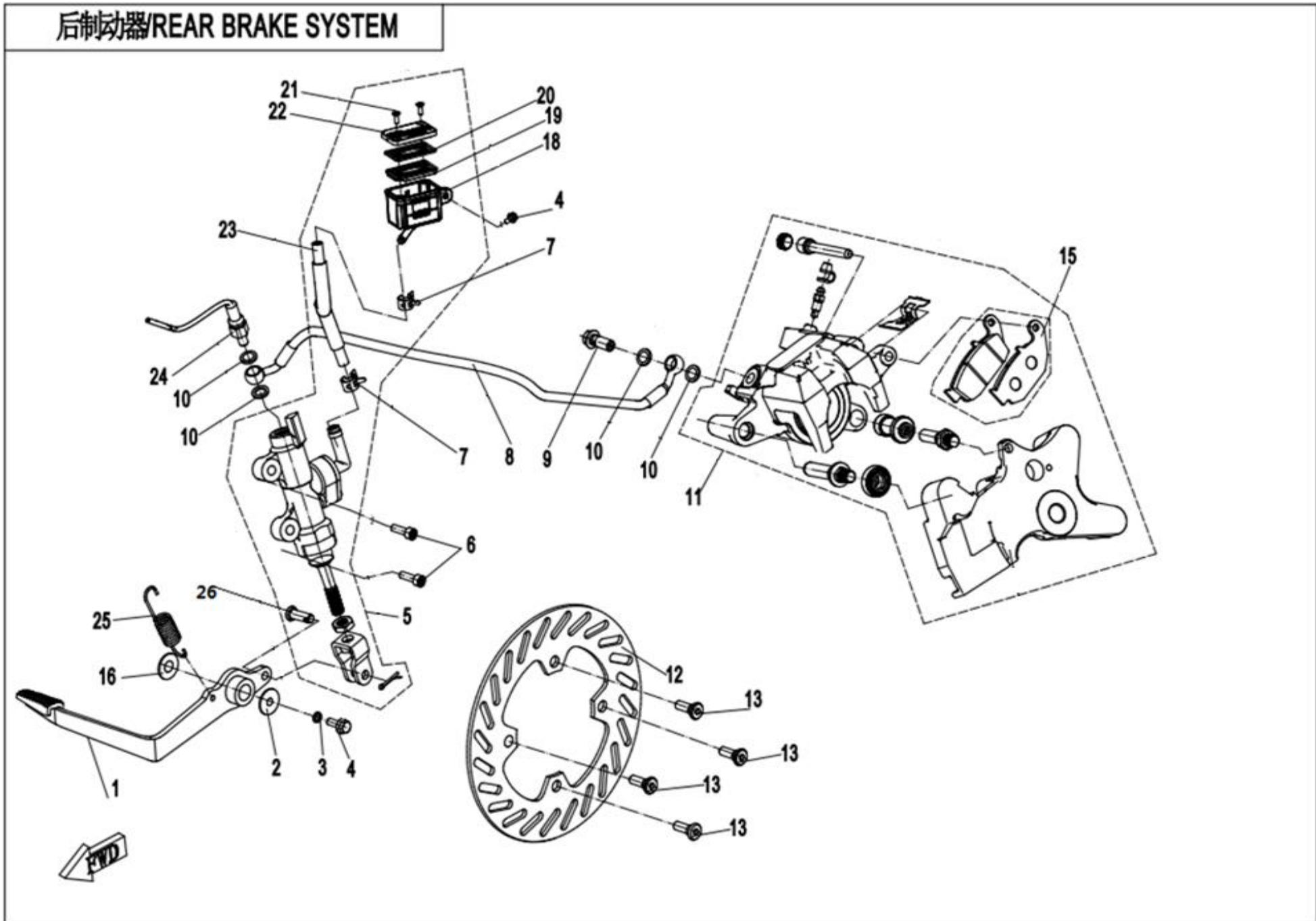


Item No	Parts Number	Parts Name(EN)	Parts Name(CN)	Qty	Specification
01	6KJ0-080300-1H300	REAR BRAKE PEDAL ASSY (MATTE SILVER BLACK)	后制动踏板组件	1	MATTE SILVER BLACK
01	6KJ0-080300-10000	REAR BRAKE PEDAL ASSY (BLACK)	后制动踏板组件	1	BLACK
02	A000-080006-10000	GASKET 17x24x1.6	垫片17×24×1.6	1	7x24x1.6
03	30303-060112	WASHER	垫圈	1	6
04	30006-060016810	BOLT M6x16	螺栓	2	M6x16
05	6KM0-091200	MASTER CYLINDER, REAR BRAKE	后刹主泵	1	
06	30102-060022810	SCREW M6x22	螺钉	2	M6x22
07	A000-080213-2000	CLIP	油管夹	2	
08	6KM0-091010	REAR BRAKE FLUID HOSE ASSY	后制动油管组合	1	
09	A000-080103-2000	BANJO BOLT 2	过油螺栓II	1	
10	A000-080102-2000	WASHER	垫圈	4	
11	6KM0-091100-00001	REAR BRAKE CAPLIER ASSY	后制动钳组合	1	ABS VERSION
12	6KJ0-080002-10000	REAR BRAKE DISC	后制动盘	1	
13	6KJ0-080005	BOLT, FRONT BRAKE DISC	前制动盘螺栓	4	
15	6KJ0-0845A0	REAR BRAKE PAD ASSY	后制动片组合	1	ABS VERSION
16	A000-080007-10000	GASKET 215x24x1	垫片II15×24×1	1	15x24x1
19	6KM0-091203	SEAL RING, FLUID RESERVOIR	油杯密封圈	1	
20	6KM0-091202	GASKET, FLUID RESERVOIR	油杯衬垫	1	
21	6KM0-091201	CAP, FLUID RESERVOIR	油杯盖	1	
22	6KM0-091205	FLUID RESERVOIR HOSE	油杯管	1	
23	6KJ0-084416	HYDRAULIC INDUCTION SWITCH	液压感应开关	1	
24	6100-080005	RETURN SPRING	回位弹簧	1	

前制动器 FRONT BRAKE SYSTEM

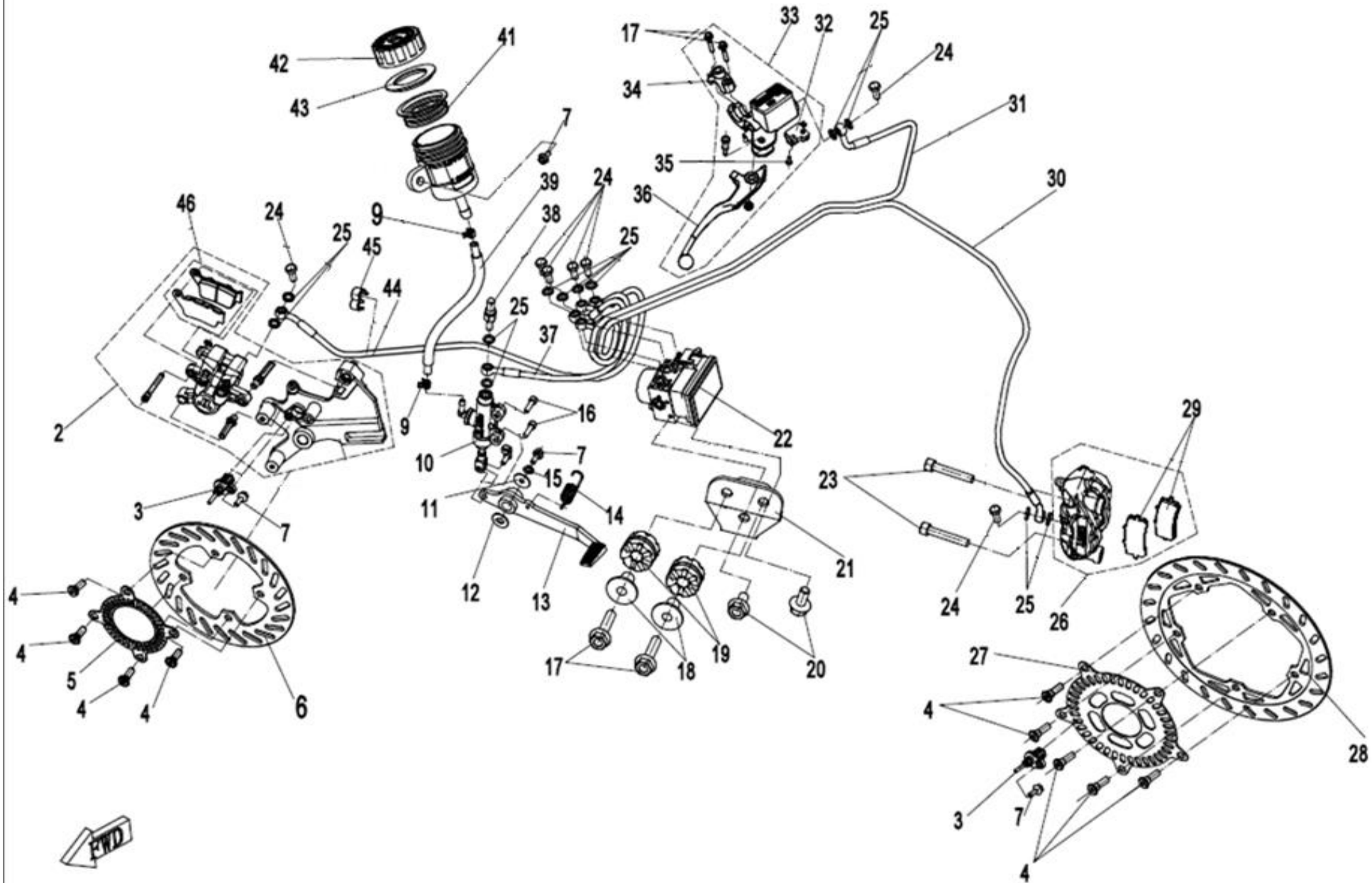


Item No	Parts Number	Parts Name(EN)	Parts Name(CN)	Qty	Specification
01	6KJ0-080005	BOLT, FRONT BRAKE DISC	前制动盘螺栓	5	
02	6KJ0-080001-20000	FRONT BRAKE DISC	前制动盘	1	
03	6KM0-0812B0	FRONT BRAKE PAD ASSY	前制动片组合	1	STANDARD VERSION, NO ABS
05	6KM0-081200-30000	FRONT BRAKE CALIPER ASSY	前嵌体组合	1	
06	A000-080102-2000	WASHER	垫圈	4	
07	30102-102060810	SCREW M10x1.25x60	螺钉	2	M10x1.25x60
08	7020-081004	BANJO BOLT	过油螺栓	1	
09	6KM0-081010-30000	FRONT BRAKE FLUID HOSE ASSY	前制动油管组合	1	
10	30204-060870	NUT M6	螺母M6	1	
11	30116-040010470	SCREW KIT	螺钉组合件	1	
12	6KM0-081102-20000	BRAKE SWITCH	制动开关	1	
13	6KM0-081117-20000	HALF-CAP BOLT	半盖螺栓	2	
14	6090-080126	HALF COVER	半盖	1	
15	6KM0-081116-20000	BOLT, HAND LEVER	手柄螺栓	1	
16	6KM0-081101-20000	BRAKE LEVER	制动手柄	1	
17	6KM0-081100-30000	MASTER CYLINDER, HAND BRAKE	手刹主泵	1	



Item No	Parts Number	Parts Name(EN)	Parts Name(CN)	Qty	Specification
01	6KJ0-080300-1H300	REAR BRAKE PEDAL ASSY	后制动踏板组件	1	MATTE SILVER BLACK
02	A000-080006-10000	GASKET 17x24x1.6	垫片17×24×1.6	1	7x24x1.6
03	30303-060112	WASHER	垫圈	1	6
04	30006-060016810	BOLT M6x16	螺栓	2	M6x16
05	6KM0-091200-20000	MASTER PUMP, FOOT BRAKE	后刹主泵	1	
06	30102-060022810	SCREW M6x22	螺钉	2	M6x22
07	A000-080213-2000	CLIP	油管夹	2	
08	6KM0-091010-20000	REAR BRAKE FLUID HOSE ASSY	后制动油管组合	1	
09	7020-081004	BANJO BOLT	过油螺栓	1	
10	A000-080102-2000	WASHER	垫圈	4	
11	6KM0-091100-20000	CALIPER, REAR BRAKE	后制动钳组合	1	STANDARD VERSION, NO ABS
12	6KJ0-080002-10000	REAR BRAKE DISC	后制动盘	1	
13	6KJ0-080005	BOLT, FRONT BRAKE DISC	前制动盘螺栓	4	
15	6KM0-0911A0	REAR BRAKE PAD ASSY	后制动片组合	1	STANDARD VERSION, NO ABS
16	A000-080007-10000	GASKET 215x24x1	垫片II15×24×1	1	15x24x1
18	6KM0-091204-20000	FLUID RESERVOIR	油杯	1	
19	6KM0-091203-20000	SEALING GASKET, FLUID RESERVOIR	油杯密封垫	1	
20	6KM0-091202-20000	SEALING LINER, FLUID RESERVOIR	油杯密封衬板	1	
21	A000-080229-2000	SCREW, FLUID RESERVOIR CAP	油杯盖螺钉	2	
22	6KM0-091201-20000	CAP, FLUID RESERVOIR	油杯盖	1	
23	6KM0-091220-20000	FLUID RESERVOIR HOSE	油杯管	1	
24	6KJ0-084416	HYDRAULIC INDUCTION SWITCH	液压感应开关	1	
24	6KM#-081700-8000-M1	HYDRAULIC SWITCH ASSY	液压开关组合	1	
25	6100-080005	RETURN SPRING	回位弹簧	1	
26	30904-0602240	PIN SHAFT	销轴	1	

制动系统 / BRAKE SYSTEM

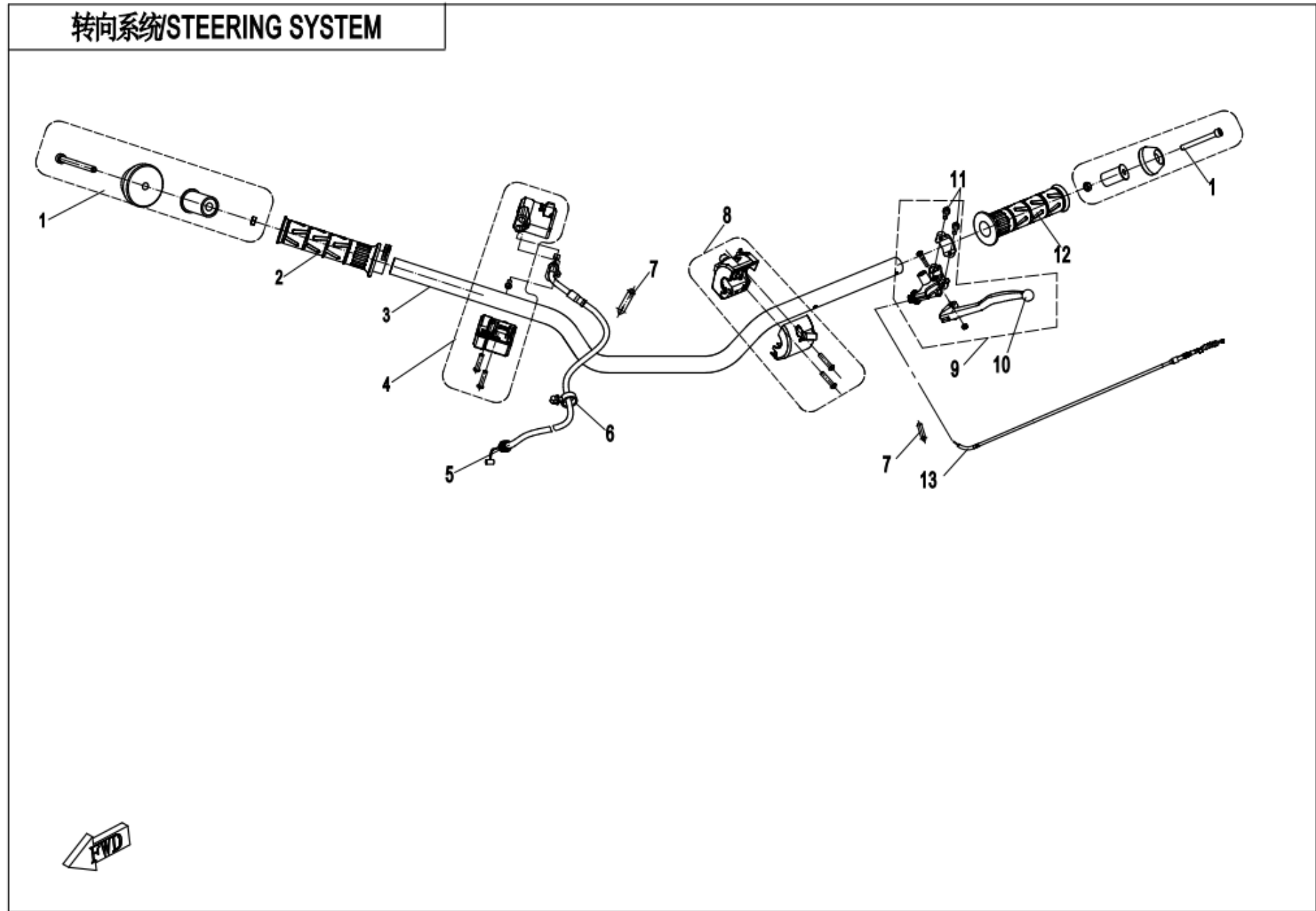


F08-C-V3 制动器总成 (ABS-西互) BRAKE ASSY (ABS-JJUAN)

Item No	Parts Number	Parts Name(EN)	Parts Name(CN)	Qty	Specification
02	6KM0-091100-00001	REAR BRAKE CAPLIER ASSY	后制动钳组合	1	
03	6KMV-080004-8500-M1	WHEEL SPEED SENSOR	轮速传感器	2	
04	6KJ0-080005	BOLT, FRONT BRAKE DISC	前制动盘螺栓	9	
05	6NTG-080009	REAR GEAR RING	后齿圈	1	
06	6KJ0-080002-10000	REAR BRAKE DISC	后制动盘	1	
07	30006-060016810	BOLT M6x16	螺栓	3	M6x16
09	A000-080213-2000	CLIP	油管夹	2	
10	6KM0-091200	MASTER CYLINDER, REAR BRAKE	后刹主泵	1	
11	A000-080006-10000	WASHER 1	垫片I7×24×1.6_性能等级100HV	1	
12	A000-080007-10000	WASHER 2	垫片II	1	
13	6KJ0-080300-1H300	REAR BRAKE PEDAL ASSY	后制动踏板组件	1	MATTE SILVER BLACK
14	6100-080005	RETURN SPRING	回位弹簧	1	
15	30303-060112	WASHER	垫圈	1	6
16	30102-060022810	SCREW M6x22	螺钉	2	M6x22
17	30006-060025810	BOLT	螺栓	4	M6x25
18	5020-031002	RUBBER SLEEVE LINER, FRONT LICENSE BRACKET	前牌照支架橡胶套衬套	2	
19	5020-031001	RUBBER SLEEVE, FRONT LICENSE BRACKET	前牌照支架橡胶胶套	2	
20	30006-060012810	BOLT M6x12	螺栓	2	M6x12
21	6KM0-030040-0B200	ABS BRACKET	ABS安装支架	1	MATTE BLACK
22	6KM0-081100	MAB UNIT	MAB执行单元	1	
23	30102-102060810	SCREW M10x1.25x60	螺钉	2	M10x1.25x60
24	A000-080103-2000	BANJO BOLT 2	过油螺栓II	7	
25	A000-080102-2000	WASHER	垫圈	16	
26	6KJ0-084200	FRONT CALIPER ASSY	前钳体组合	1	
27	6KJ0-080004	INDUCTION PLATE, COUNTER	计数器感应盘	1	
28	6KJ0-080001-20000	FRONT BRAKE DISC	前制动盘	1	
29	6KJ0-0842A0	FRONT BRAKE PAD ASSY	前制动片组合	1	ABS VERSION ONLY
30	6KM0-081020-10000	FLUID OUTLET PIPE, FRONT CALIPER	前钳体出油管	1	
31	6KM0-081010-10000	FLUID INLET PIPE, FRONT CALIPER	前钳体进油管	1	
32	6KJ0-084104	SWITCH, BRAKE LIGHT	刹车灯开关	1	
33	6KJ0-084100	HAND BRAKE PUMP	手刹主泵	1	
34	6KJ0-084105	HALF CAP	半盖	1	

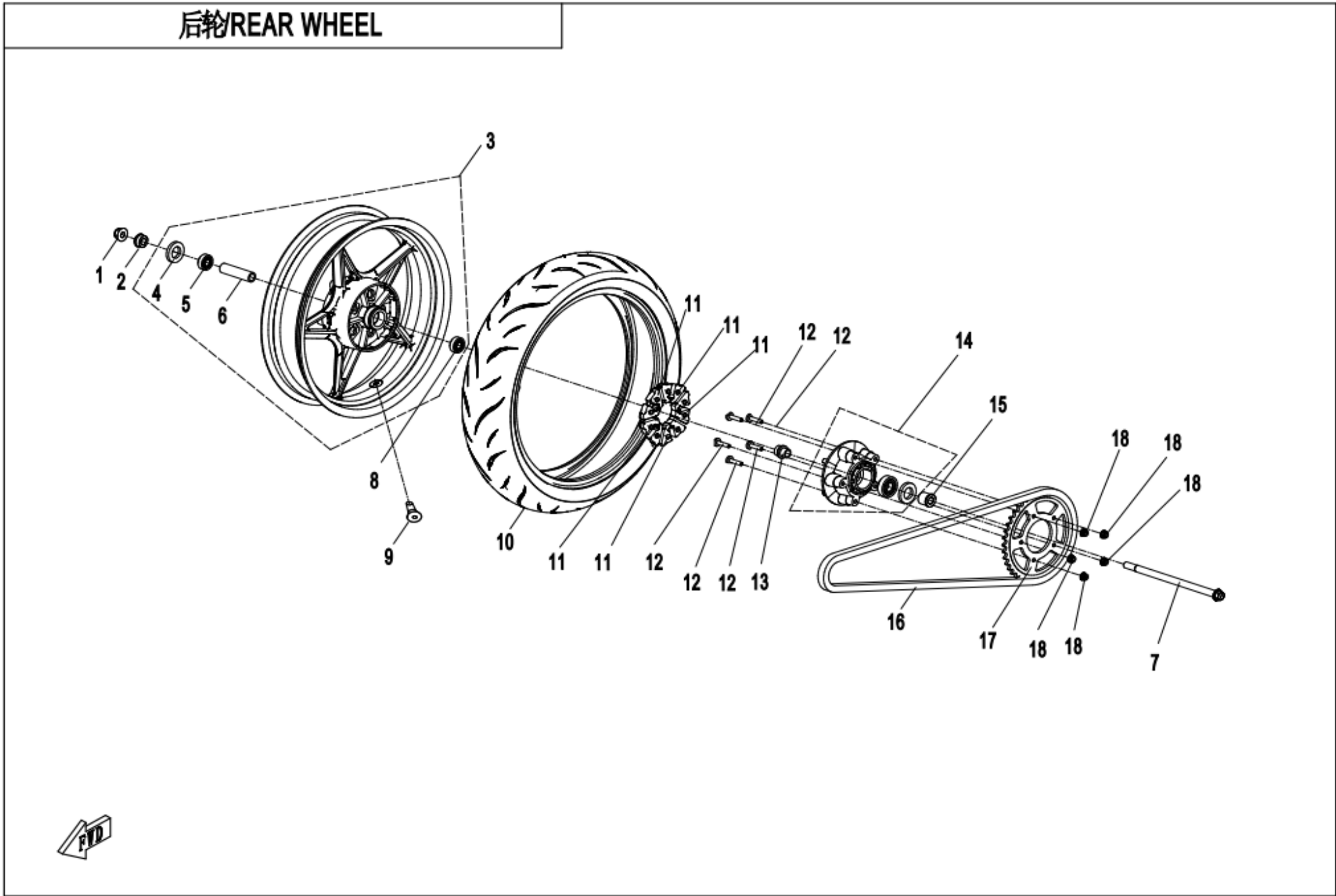
Item No	Parts Number	Parts Name(EN)	Parts Name(CN)	Qty	Specification
35	30116-040010440	SCREW ASSY M4x10	螺钉组合件	1	M4x10
36	6KJ0-084108	FRONT BRAKE LEVER	前制动手柄	1	
37	6KM0-081030-10000	FLUID INLET PIPE, REAR CALIPER	后钳体进油管	1	
38	6KJ0-080270	HYDRAULIC INDUCTION SWITCH	液压感应开关	1	
38	6KM#-081700-8000-M1	HYDRAULIC SWITCH ASSY	液压开关组合	1	
39	6KM0-091205	FLUID RESERVOIR HOSE	油杯管	1	
41	6KM0-091203	SEAL RING, FLUID RESERVOIR	油杯密封圈	1	
42	6KM0-091201	CAP, FLUID RESERVOIR	油杯盖	1	
43	6KM0-091202	GASKET, FLUID RESERVOIR	油杯衬垫	1	
44	6KM0-081040-20000	OIL OUTLET HOSE, REAR CALIPER	后钳体出油管	1	
45	6KM#-080002-8000	RUBBER OIL HOSE CLIP	橡胶油管线夹	2	
46	6KJ0-0845A0	REAR BRAKE PAD ASSY	后制动片组合	1	ABS VERSION ONLY

F10-A 转向系统 STEERING SYSTEM



Item No	Parts Number	Parts Name(EN)	Parts Name(CN)	Qty	Specification
01	6KM0-100010-10000	BALANCER	平衡块组件	2	
02	A000-100010-20000	RH HAND GRIP ASSY	右握把组件	1	
03	6KM0-100001-0H300	HANDLEBAR PIPE	方向把管	1	SILVER BLACK
04	6KM0-168000-10001	RH HANDLEBAR SWITCH ASSY	右手把开关总成 (大灯常亮)	1	
05	6KM0-100200-20000	THROTTLE CABLE	油门拉索	1	
06	A000-050015	WIRE CLIP, FRONT BRAKE FLUID HOSE	前制动油管夹	1	
07	6KJ0-100002	TIE BAND, CLUTCH	离合器拉索绑带	2	
08	6KM0-166000-10001	HANDLEBAR SWITCH ASSY, LH	左手把开关总成	1	
09	6FI3-100300-10000	CLUTCH LEVER ASSY	离合手柄组合	1	
10	6FI3-100301	CLUTCH LEVER	离合手柄	1	
11	30102-060022810	SCREW M6x22	螺钉	2	M6x22
12	A000-100001-10000	LH HAND GRIP	左握把	1	
13	6KM0-100300-10000	CLUTCH CABLE	离合器拉索	1	

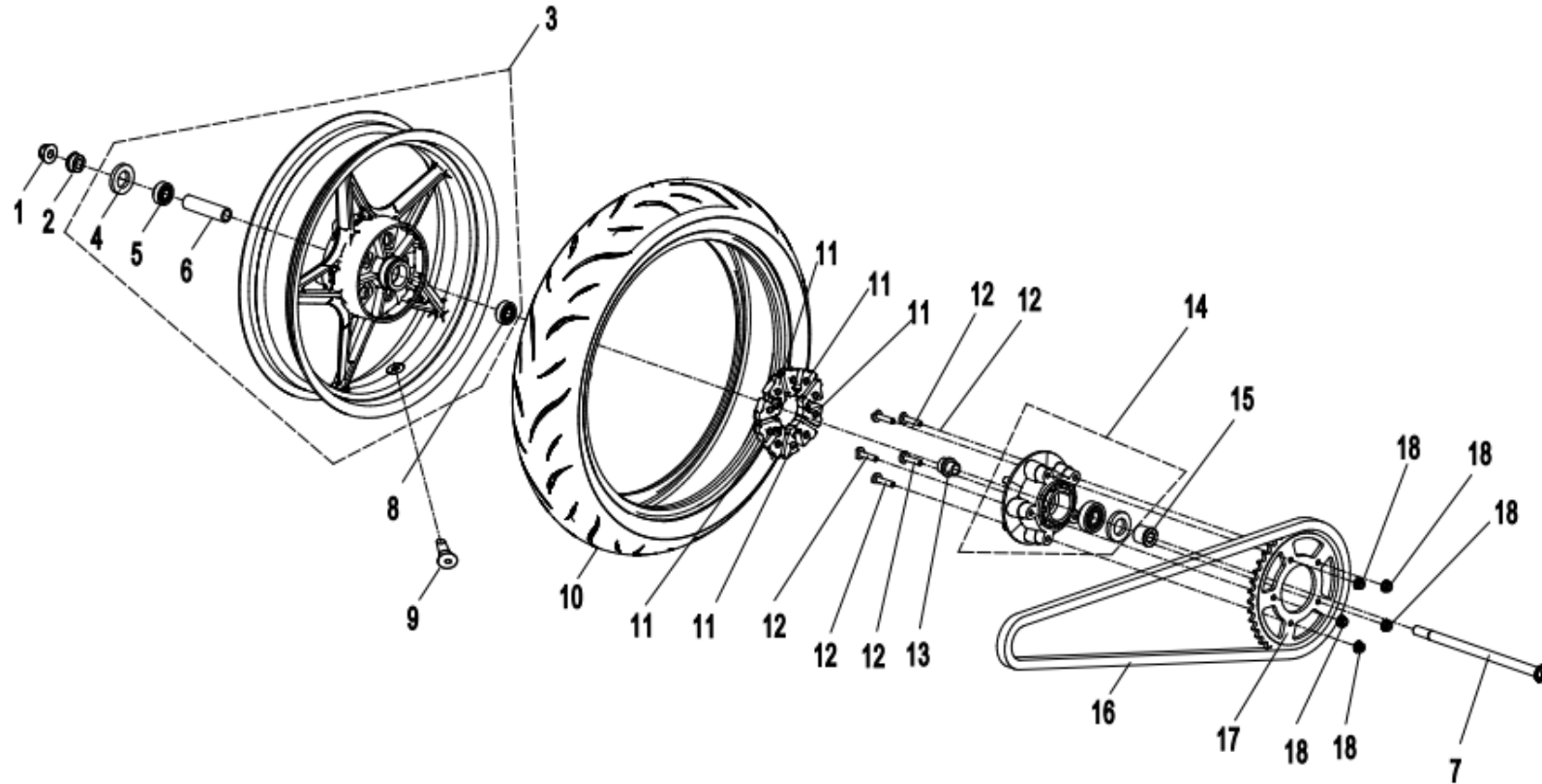
F11-A 后轮(亚光黑-轮辋) REAR WHEEL(MATTE BLACK-RIM)



Item No	Parts Number	Parts Name(EN)	Parts Name(CN)	Qty	Specification
01	30204-143810	NUT M14x1.5	螺母	1	M14x1.5
02	6KJ0-110001-10000	RH SHAFT SLEEVE, REAR WHEEL	后轮右轴套	1	
03	6KM0-110100-0B200	REAR RIM 17x4.0MT	后轮辋组合	1	MATTE BLACK
04	30500-027800N	OIL SEAL	油封	1	FB27x47x7
05	30400-01583	BEARING	滚动轴承	1	6302-2RS
06	6KM0-110102	CENTER SPACER, REAR RIM	后轮辋中隔套	1	
07	6KJ0-110005-20000	REAR WHEEL SHAFT	后轮轴	1	
08	30400-01580	BEARING	滚动轴承	1	6202-2RS
09	5190-070030-1000	VALVE, INFLATION	气门嘴	1	
10	30705-1724	REAR TIRE	后轮胎	1	140/60R17M/C63S, CST, ENVIRONMENTAL VACUUM TIRE
11	6KM0-110004	RUBBER DAMPER, SPROCKET SOCKET	链轮座橡胶缓冲块	5	
12	6KJ0-110003	BOLT	链轮缓冲螺栓	5	
13	6KM0-110003-10000	BUSHING, SPROCKET SOCKET	链轮座衬套	1	
14	6KM0-110200-10000	SPROCKET SOCKET	链轮座组合	1	
15	6KM0-110002-10000	SHAFT SLEEVE, REAR WHEEL	后轮轴套	1	
16	3120910	CHAIN	链条	1	
16	3120922	CHAIN	链条	1	30 ANNIVERSARY
17	6KM#-110005-6001	REAR SPROCKET	后链轮	1	
18	30204-080810	NUT M8	螺母	5	M8

F11-B 后轮(珊瑚蓝-轮辋) REAR WHEEL(CORAL BLUE-RIM)

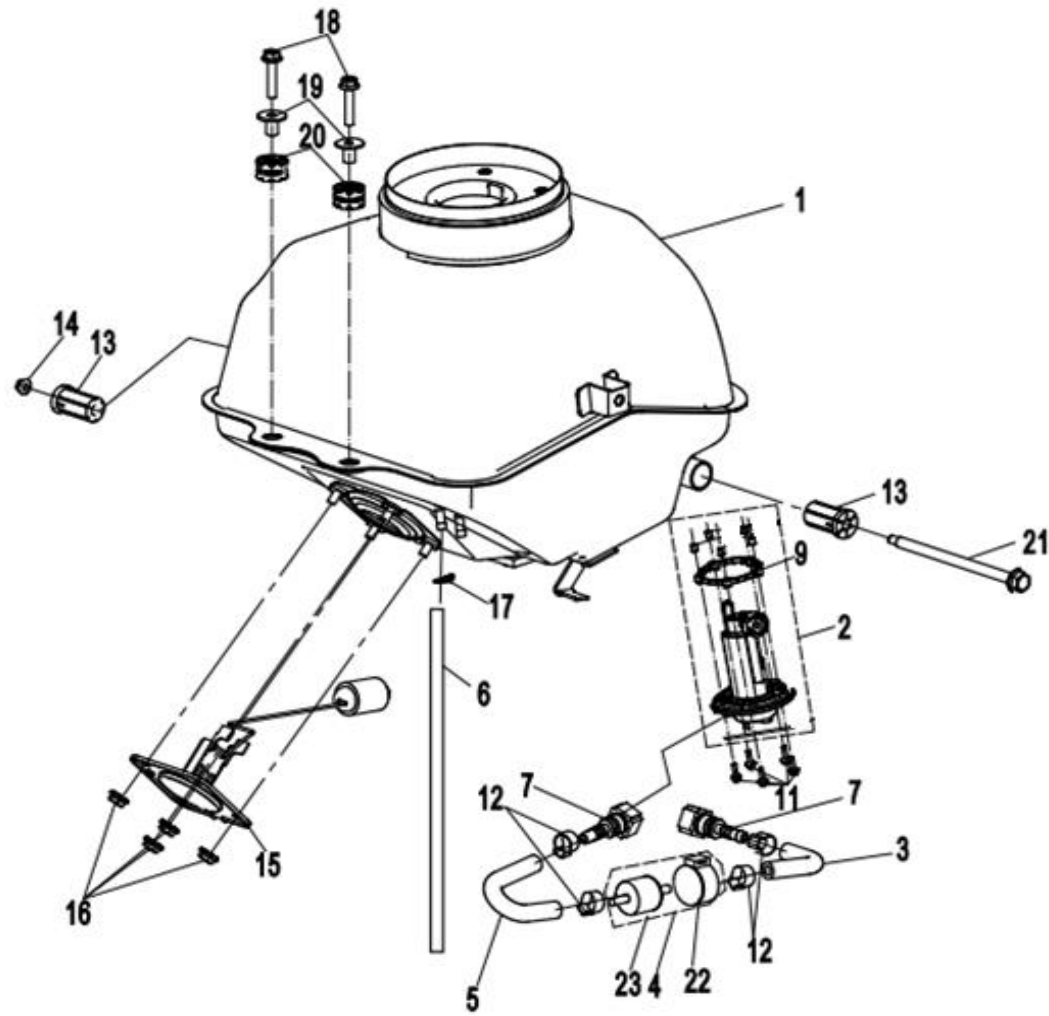
后轮 REAR WHEEL



Item No	Parts Number	Parts Name(EN)	Parts Name(CN)	Qty	Specification
01	30204-143810	NUT M14x1.5	螺母	1	M14x1.5
02	6KJ0-110001-10000	RH SHAFT SLEEVE, REAR WHEEL	后轮右轴套	1	
03	6KM0-110100-0E800	REAR RIM 17x4.0MT	后轮辋组合	1	CORAL BLUE
04	30500-027800N	OIL SEAL	油封	1	FB27x47x7
05	30400-01583	BEARING	滚动轴承	1	6302-2RS
06	6KM0-110102	CENTER SPACER, REAR RIM	后轮辋中隔套	1	
07	6KJ0-110005-20000	REAR WHEEL SHAFT	后轮轴	1	
08	30400-01580	BEARING	滚动轴承	1	6202-2RS
09	5190-070030-1000	VALVE, INFLATION	气门嘴	1	
10	30705-1724	REAR TIRE	后轮胎	1	140/60R17M/C63S, CST, ENVIRONMENTAL VACUUM TIRE
11	6KM0-110004	RUBBER DAMPER, SPROCKET SOCKET	链轮座橡胶缓冲块	5	
12	6KJ0-110003	BOLT	链轮缓冲螺栓	5	
13	6KM0-110003-10000	BUSHING, SPROCKET SOCKET	链轮座衬套	1	
14	6KM0-110200	SPROCKET SOCKET	链轮座组合	1	
15	6KM0-110002-10000	SHAFT SLEEVE, REAR WHEEL	后轮轴套	1	
16	3120910	CHAIN	链条	1	
17	6KM#-110005-6001	REAR SPROCKET	后链轮	1	
18	30204-080810	NUT M8	螺母	5	M8

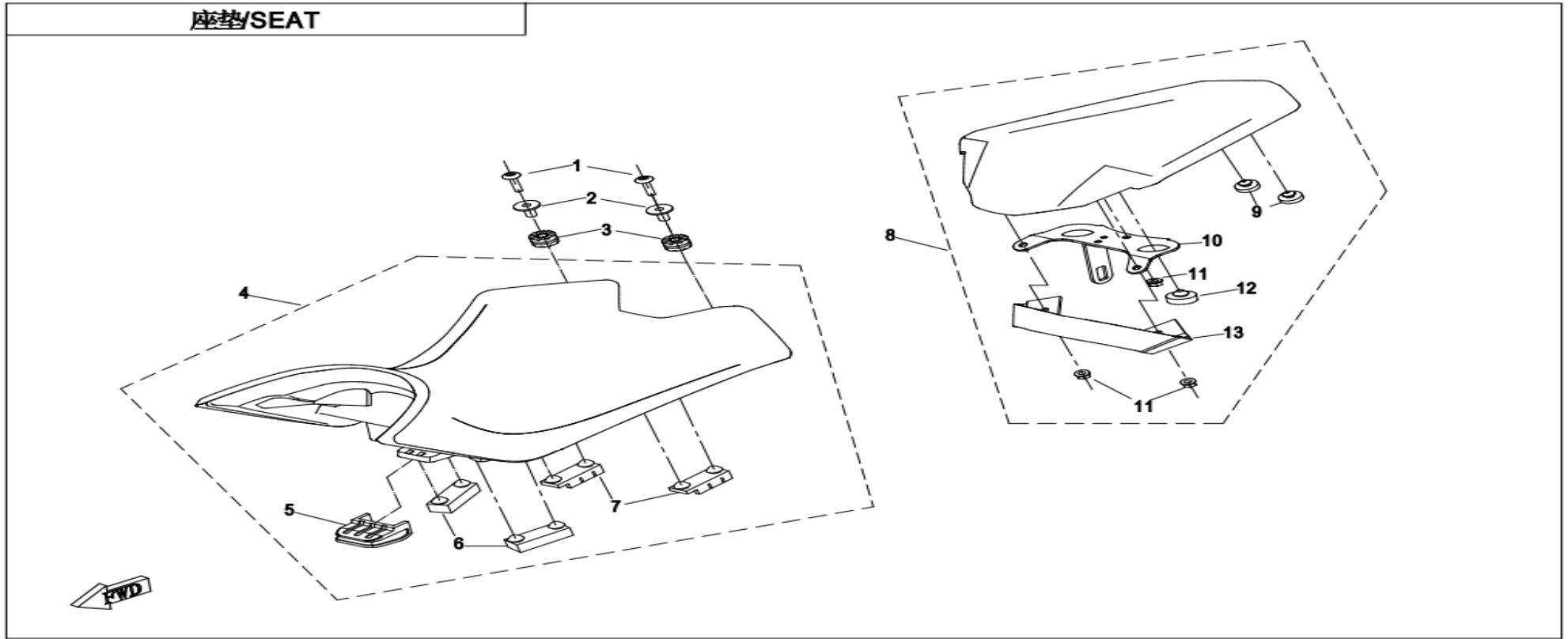
F12 油箱 FUEL TANK

油箱 FUEL TANK



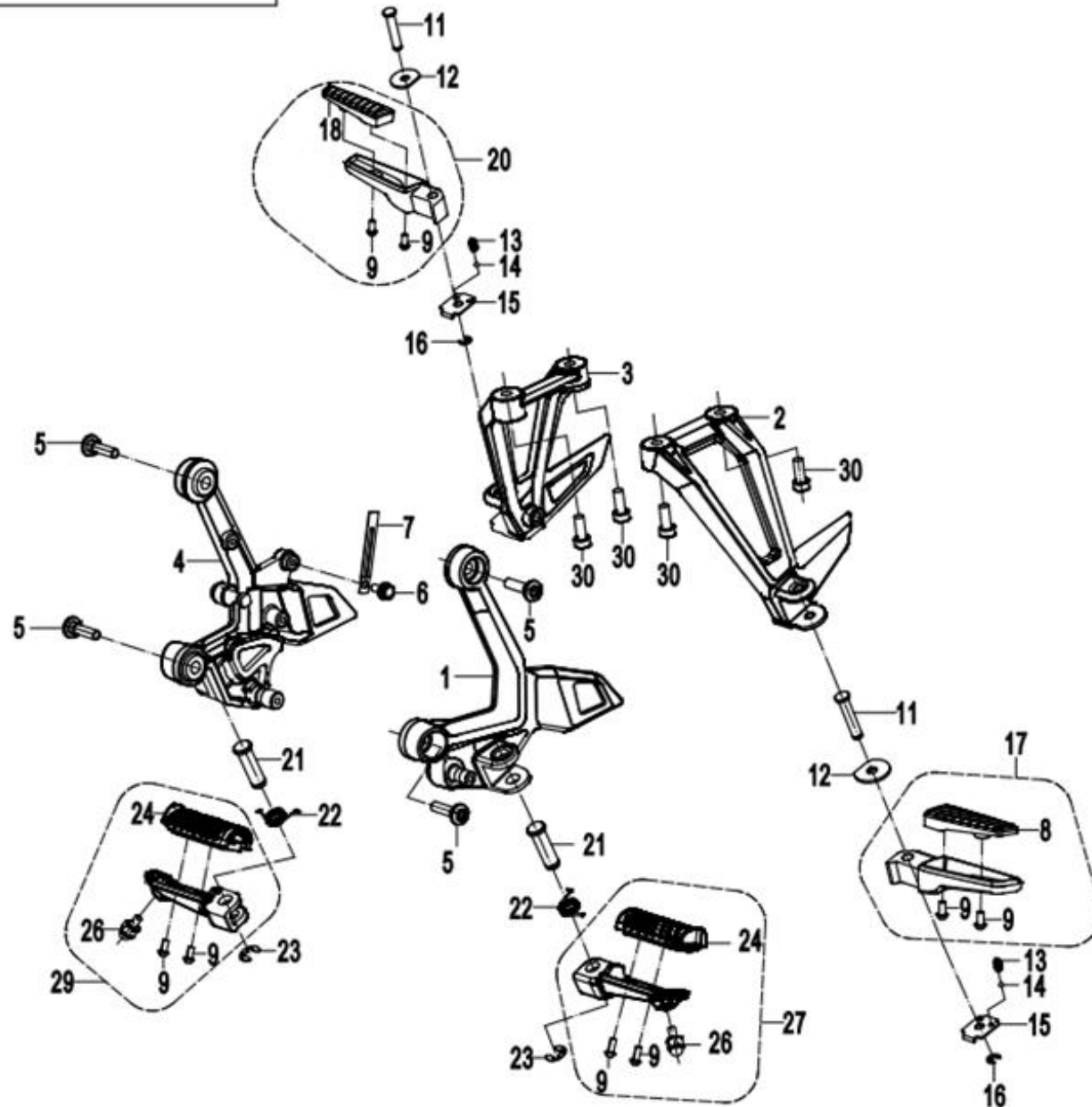
Item No	Parts Number	Parts Name(EN)	Parts Name(CN)	Qty	Specification
01	6KM0-120100-10000	FUEL TANK ASSY	油箱焊接组合	1	
02	6KJV-150900-8001	FUEL PUMP	油泵总成	1	
03	6KM0-120220	HIGH-PRESSURE FUEL HOSE,II	高压油管II组合	1	
04	6090-120220	FUEL FILTER ASSY, EFI	电喷燃油滤清器组合	1	
05	6KM0-120210	HIGH-PRESSURE FUEL HOSE, I	高压油管I组合	1	
06	6NQ0-120001	FUEL PIPE, FUEL TANK	油箱漏油管	1	
07	6KJ0-120330-10000	QUICK JOINT	快速接头	2	
09	6KJ0-150902	SEAL WASHER, TOP COVER	顶盖密封圈	1	
11	30006-050020810	BOLT	螺栓	5	M5x20
12	6070-120400	CLAMP	无级环箍 (Φ14.5)	4	Dia14.5
13	6KM0-120002	RUBBER BUSHING, FUEL TANK	油箱橡胶套	2	
14	30204-060810	NUT M6	螺母	1	M6
15	6KM0-170200-10001	FUEL LEVEL SENSOR (TFT)	燃油位传感器组合	1	USE WITH TFT DASHBOARD
15	6KM0-170200-20001	FUEL LEVEL SENSOR (LCD)	燃油位传感器组合	1	USE WITH LCD DASHBOARD
16	30202-060110	NUT M6	螺母	4	M6
17	30601-111010	CLAMP A11	环箍A11	1	A11
18	30006-060025810	BOLT	螺栓	2	M6x25
19	6KM0-120010	T-TYPE BUSHING ASSY	T型衬套组合	2	
20	5020-031001	RUBBER SLEEVE, FRONT LICENSE BRACKET	前牌照支架橡胶胶套	2	
21	6KM0-120001	ROTATION SHAFT, FUEL TANK	油箱旋转轴	1	
23	805A-120004	FUEL FILTER, EFI	电喷燃油滤清器	1	

F13-A 座垫 SEAT



Item No	Parts Number	Parts Name(EN)	Parts Name(CN)	Qty	Specification
01	6NTG-200424	INNER HEX SCREW M6x25	内六角螺钉M6x25	2	M6x25
02	6KM0-130010	T-TYPE BUSHING ASSY	T型衬套组合	2	
03	5020-031001	RUBBER SLEEVE, FRONT LICENSE BRACKET	前牌照支架橡胶胶套	2	
04	6KM0-130100-10000	FRONT SEAT ASSY	前座垫组合	1	
05	6KM0-130106	RUBBER SLEEVE	减震橡胶套	1	
06	6KM0-130104	RUBBER MAT	缓冲橡胶垫	2	
07	6KM0-130105	RUBBER MAT	缓冲橡胶垫	2	
08	6KM0-130200	REAR SEAT ASSY	后座垫组合	1	
09	6KM0-130204	RUBBER MAT	缓冲橡胶垫	2	
10	6KM0-130210	LOCKING PLATE ASSY, SEAT LOCK	座垫锁钩板焊接组件	1	
11	30202-060110	NUT M6	螺母	3	M6
12	6KM0-130205	RUBBER	缓冲橡胶垫	1	
13	6KM0-130220	TIE-BAND, REAR SEAT	后座垫拉带	1	

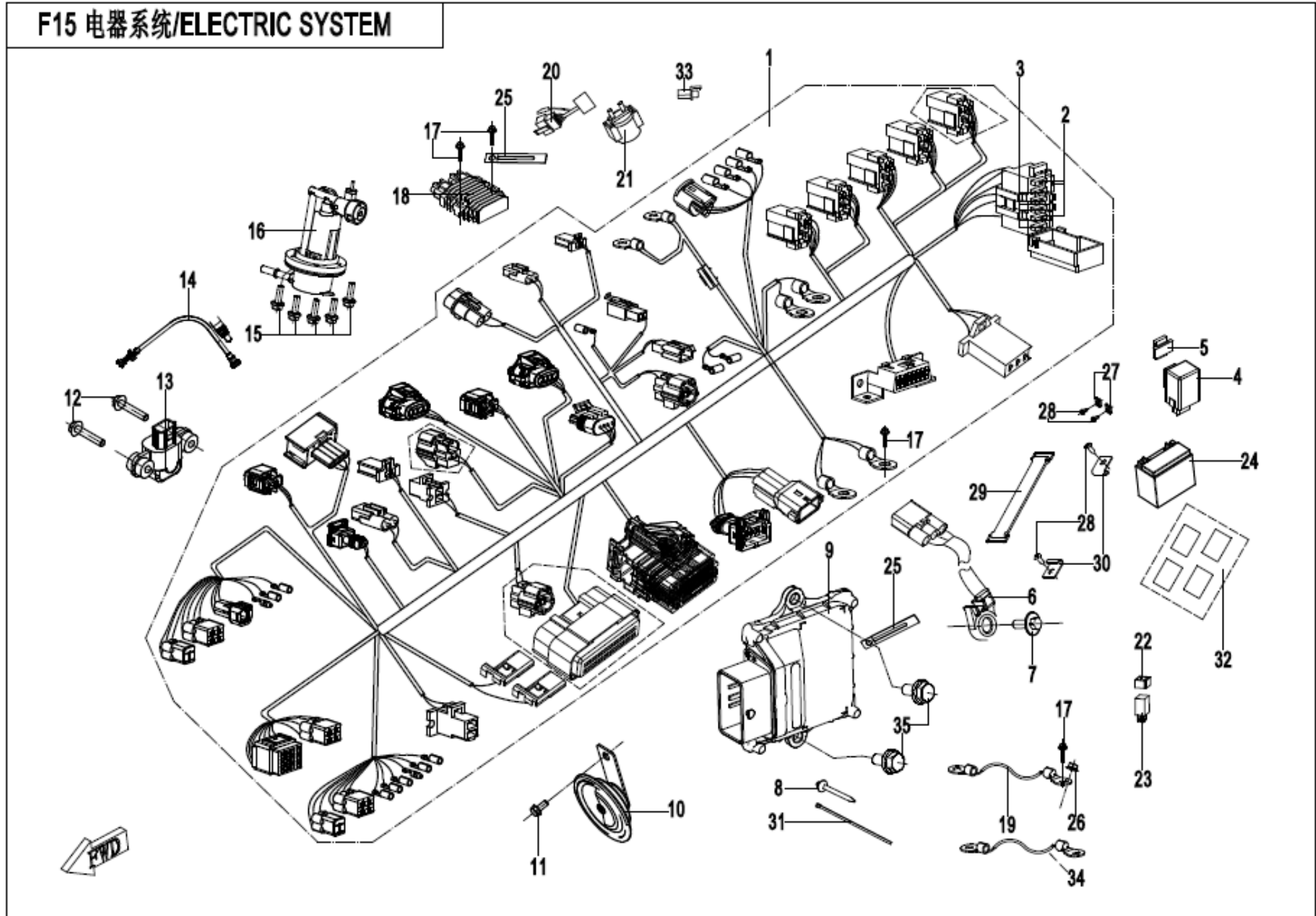
脚蹬/FOOTREST



Item No	Parts Number	Parts Name(EN)	Parts Name(CN)	Qty	Specification
01	6KM0-140100	BRACKET ASSY, LH FRONT FOOTREST (SILVER)	左前脚踏支架组件	1	FOR SILVER AND BLACK BIKE
01	6KMK-140100-6600	BRACKET, LH FRONT FOOTREST	左前脚踏支架组件	1	30 ANNIVERSARY
02	6KM0-140001-10000	BRACKET, LH REAR FOOTREST	左后脚踏支架	1	FOR SILVER AND BLACK BIKE
02	6KMK-140001-6600	BRACKET, LH REAR FOOTREST	左后脚踏支架	1	30 ANNIVERSARY
03	6KM0-140002-10000	BRACKET, RH REAR FOOTREST	右后脚踏支架	1	FOR SILVER AND BLACK BIKE
03	6KMK-140002-6600	BRACKET, RH REAR FOOTREST	右后脚踏支架	1	30 ANNIVERSARY
04	6KM0-140200	BRACKET ASSY, RH FRONT FOOTREST	右前脚踏支架组合	1	FOR SILVER AND BLACK BIKE
04	6KMK-140200-6600	BRACKET, RH FRONT FOOTREST	右前脚踏支架组件	1	30 ANNIVERSARY
05	6KM0-140103	BOLT	凸台螺栓	4	M8x25
06	30102-060012810	SCREW	螺钉M6X12	1	
07	0180-014010	WIRE CLIP	线夹组合	1	
08	6KJ0-140132	RUBBER, LH FOOT PEDAL	左脚蹬橡皮组件	1	
09	30105-050014410	SCREW (M5x14)	螺钉	8	
11	A000-140142	PIN SHAFT Dia 8	销轴Φ8	2	Dia 8
12	A000-140106	LOCATING GASKET 2	定位垫片II	2	
13	5190-037813	SPRING	弹簧	2	
14	5190-037814	STEEL BALL	钢珠	2	
15	A000-140104	LOCATING GASKET 1	定位垫片I	2	
16	30802-00605	CIRCLIP	开口挡圈	2	6
17	6KJ0-140150-1V600	REAR FOOTREST, LH	左后脚踏组件	1	MATTE SILVER WHITE
17	6KJ0-140150-2B200	LH REAR FOOTREST	左后脚踏组件	1	
18	6KJ0-140142	RUBBER ASSY, RH FOOTREST	右脚蹬橡皮组件	1	
20	6KJ0-140160-1V100	REAR FOOTREST,RH	右后脚踏组件	1	MATTE SILVER WHITE
20	6KJ0-140160-2B200	RH REAR FOOTREST	右后脚踏组件	1	
21	A000-140141	PIN SHAFT Dia 12	销轴φ12	2	Dia 12
22	A000-140103-10000	TORSION SPRING	扭簧	2	
23	30802-00903	SPLIT WASHER	开口挡圈	2	9
24	6KM0-140170	RUBBERS, FOOTREST	脚踏橡皮组件	2	
26	6KM0-130123	BOLT	限位螺栓	2	
26	A010-140123	LIMIT BOLT	限位螺栓	2	
27	6KM0-140130-1V600	FRONT FOOT PEDAL ASSY, LH	左前脚踏组件	1	MATTE SILVER WHITE
27	6KM0-140130-1B200	LH FRONT FOOTREST	左前脚踏组件	1	
29	6KM0-140140-1V600	FRONT FOOT PEDAL ASSY, RH	右前脚踏组件	1	MATTE SILVER WHITE

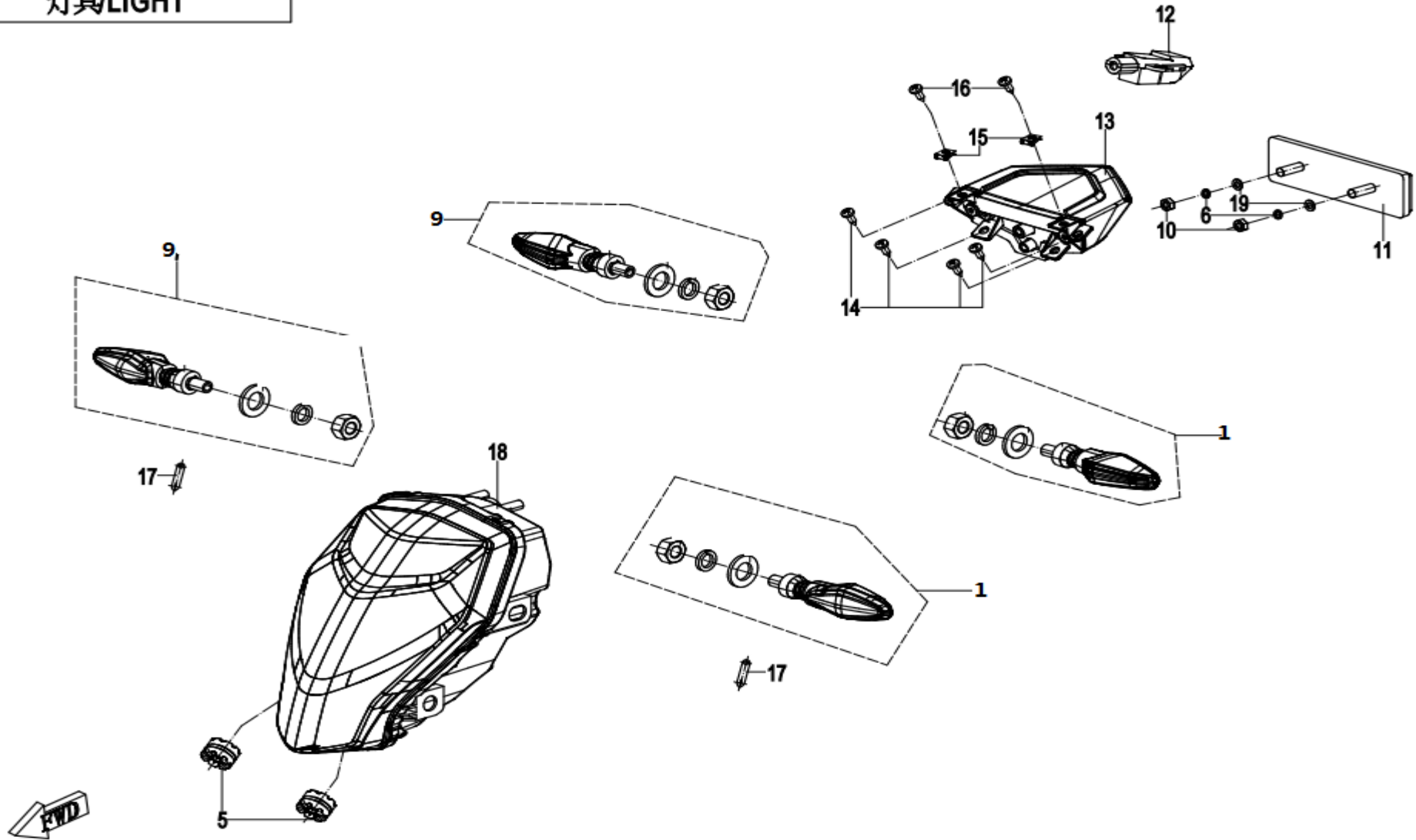
Item No	Parts Number	Parts Name(EN)	Parts Name(CN)	Qty	Specification
29	6KM0-140140-1B200	RH FRONT FOOTREST	右前脚蹬组件	1	
30	30102-080020810	SCREW M8x20	螺钉	4	M8x20

F15 电器系统/ELECTRIC SYSTEM



Item No	Parts Number	Parts Name(EN)	Parts Name(CN)	Qty	Specification
01	6KM0-150200-40000	MAIN CABLE	主电缆(ABS)	1	ABS (SILVER & 30 ANNIVERSARY BIKE)
01	6KM0-150100-30000	MAIN CABLE	主电缆 (非ABS)	1	NO ABS (FOR BLACK BIKE)
02	806A-151302	FUSE 10A	保险丝_10A	3	10A
03	806A-151305	FUSE 15A	保险丝_15A	6	15A
04	6KM0-150340	FLASHER	闪烁器	1	
05	6100-150500	RUBBER SLEEVE, FLASHER	闪烁器安装橡胶套	1	
06	6070-151200-1000	SWITCH, SIDE STAND	边撑开关	1	
07	8010-090005	BOLT M6x16	螺栓M6×16	1	M6x16
08	7030-150005	TIE BAND	扎带	5	
09	0DMA-174000	ECU	ECU	1	
10	6050-150500	ELECTRIC HORN	电喇叭	1	
11	30006-080014810	BOLT M8x14	螺栓	1	M8x14
12	30006-050020810	BOLT	螺栓	2	M5x20
13	6KJ0-150600	SENSOR, ROLL-OVER	侧倾传感器	1	
14	018B-176000	OXYGEN SENSOR	氧传感器	1	
17	30006-060012870	BOLT M6x12	螺栓	3	M6x12
18	0A80-177000-00001	REGULATOR	整流调压器	1	
19	6KM0-150030-10000	NEGATIVE CABLE, STARTER MOTOR	起动马达负极线	1	
20	6FI3-170300-10000	GEAR CONTROL UNIT	档位控制块	1	
21	6KJ0-150500	RELAY, STARTER	启动继电器	1	
22	9010-150002	RUBBER RING, AUXILIARY RELAY	辅助继电器橡胶圈	5	
23	9010-150350	AUXILIARY RELAY	辅助继电器	5	
24	33601QMN2000	BATTERY	蓄电池	1	
25	0180-014010	WIRE CLAMP	线夹组合	2	
26	30202-060110	NUT M6	螺母	1	M6
27	8080-000002	CLIP NUT ST4.8	夹板ST4.8	2	ST4.8
28	30110-481130010	SELF-TAPPING SCREW ST4.8x13	自攻螺钉	4	ST4.8x13
29	1080-150700	TIE BAND, BATTERY	蓄电池拉带	1	
30	A000-030005	TIE BAND BRACKET, TOOLS KIT	随车工具拉带支架	2	
32	9010-120008	SPONGE PAD, FUEL TANK	油箱海绵块	6	
33	6090-150500	DIODE, STARTER	起动二极管	1	
34	6KM0-150020	POSITIVE CABLE, STARTER MOTOR	起动马达正极线	1	
35	30102-060012810	SCREW	螺钉	2	

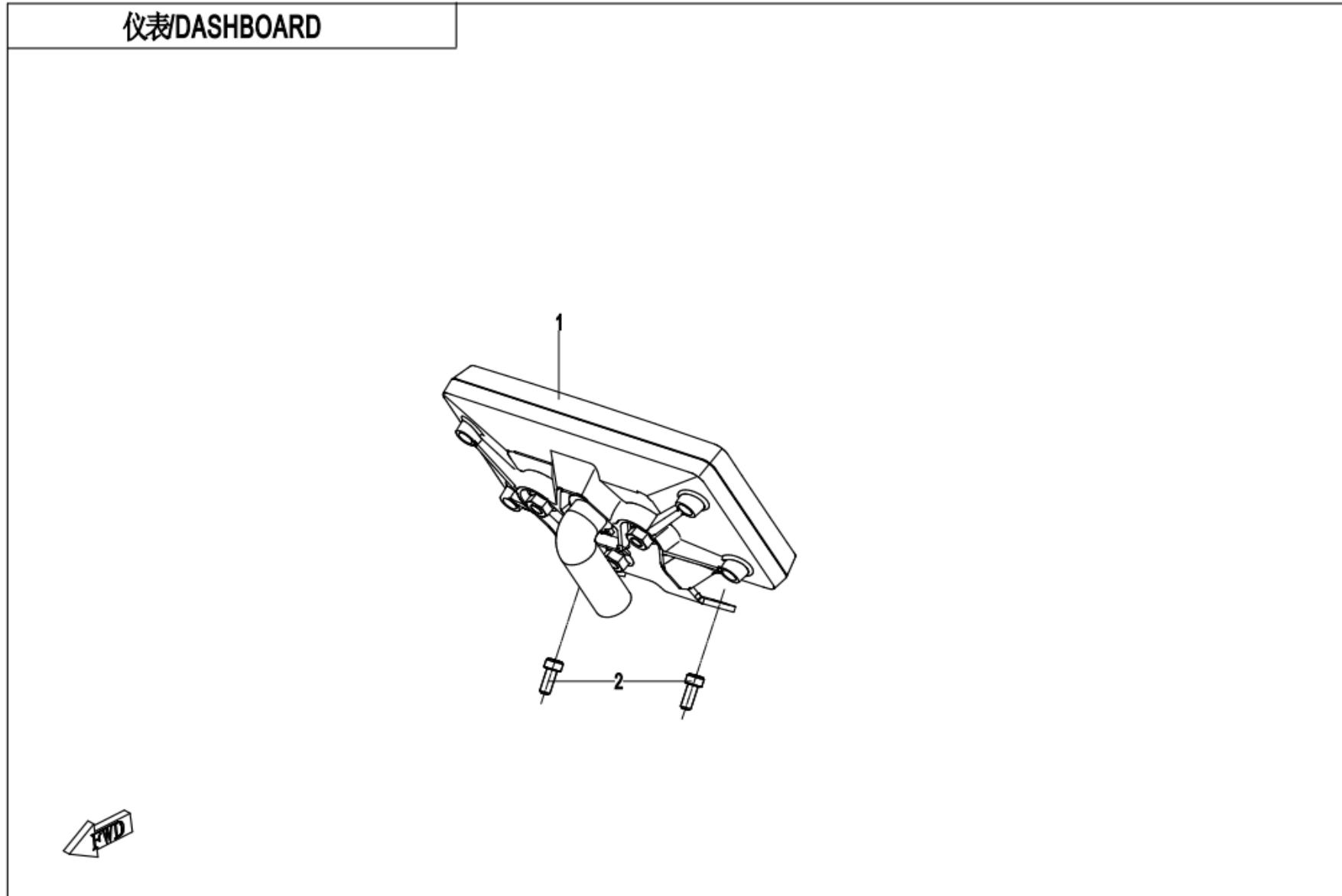
灯具/LIGHT



Item No	Parts Number	Parts Name(EN)	Parts Name(CN)	Qty	Specification
01	6KM0-160400-00004	FRONT TURN LIGHT, LH	前左转向灯	2	
05	5020-031001	RUBBER SLEEVE, FRONT LICENSE BRACKET	前牌照支架橡胶胶套	2	
06	30303-050042	WASHER	垫圈	2	5
09	6KM0-160500-00004	FRONT TURN LIGHT, RH	前右转向灯	2	
10	30200-050810	NUT M5	螺母	2	M5
11	6KM0-160230-00001	REAR REFLECTOR	后反射器	1	
12	6KM0-160300	LICENCE LIGHT	牌照灯	1	
13	6KM0-160200	REAR TAIL LIGHT	后尾灯	1	
14	30110-421130010	SELF-TAPPING SCREW ST4.2x13	自攻螺钉	4	ST4.2x13
15	8080-000002	CLIP NUT ST4.8	夹板ST4.8	2	ST4.8
16	30110-481130010	SELF-TAPPING SCREW ST4.8x13	自攻螺钉	2	ST4.8x13
17	6KJ0-100002	TIE BAND, CLUTCH	离合器拉索绑带	6	
18	6KM0-160100-00002	HEADLIGHT	前照灯	1	
19	30304-050440	WASHER	垫圈	2	

F17-A 仪表(TFT) DASHBOARD(TFT)

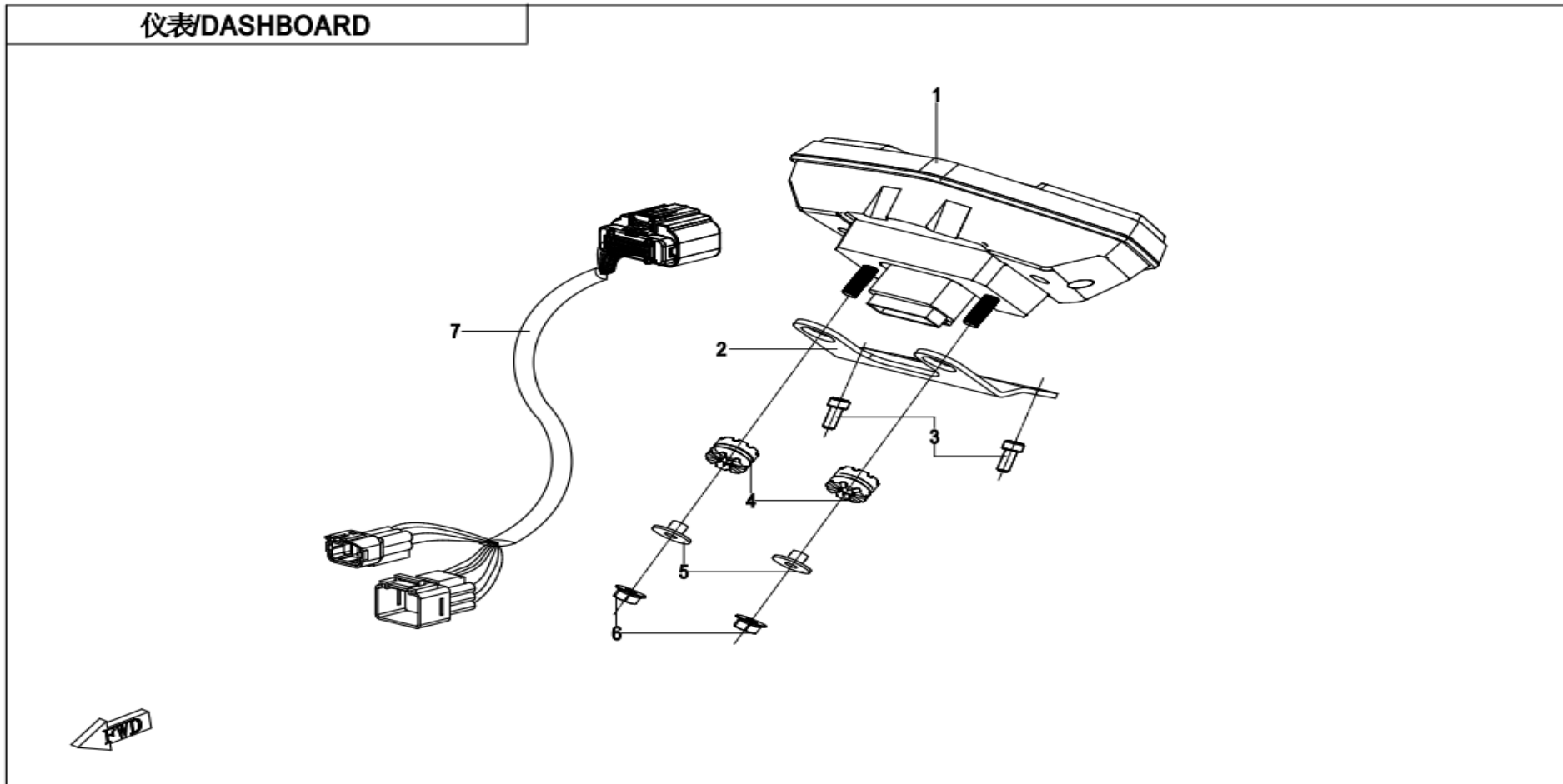
SILVER, 30ANNIVERSARY (ABS VER)



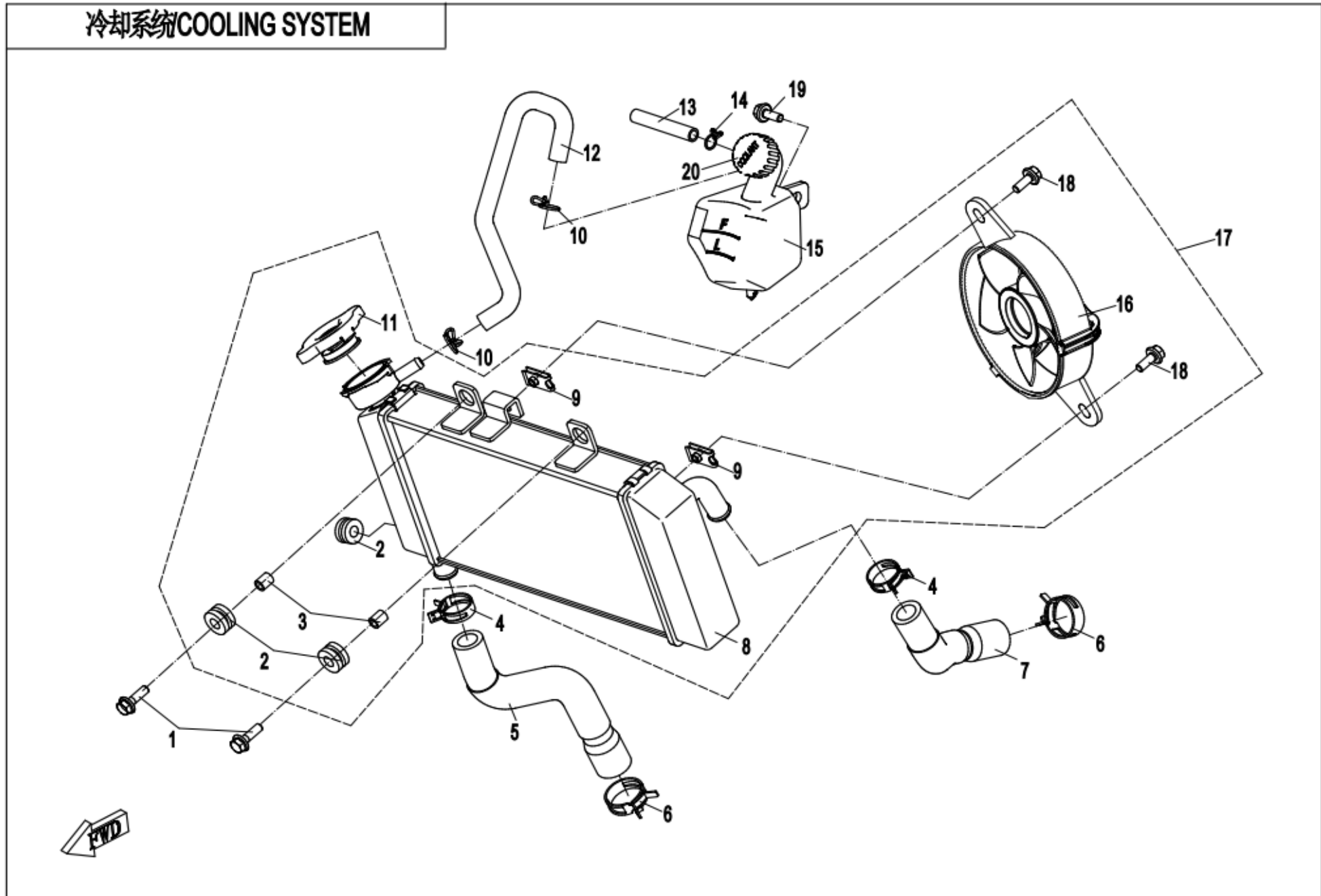
Item No	Parts Number	Parts Name(EN)	Parts Name(CN)	Qty	Specification
01	6KM0-170100-10003	DASHBOARD (TFT)	仪表	1	FOR SILVER BIKE AND 30 ANNI (ABS VER)
02	30102-060016810	SCREW	螺钉	2	

F17-B 仪表(LCD) DASHBOARD(LCD)

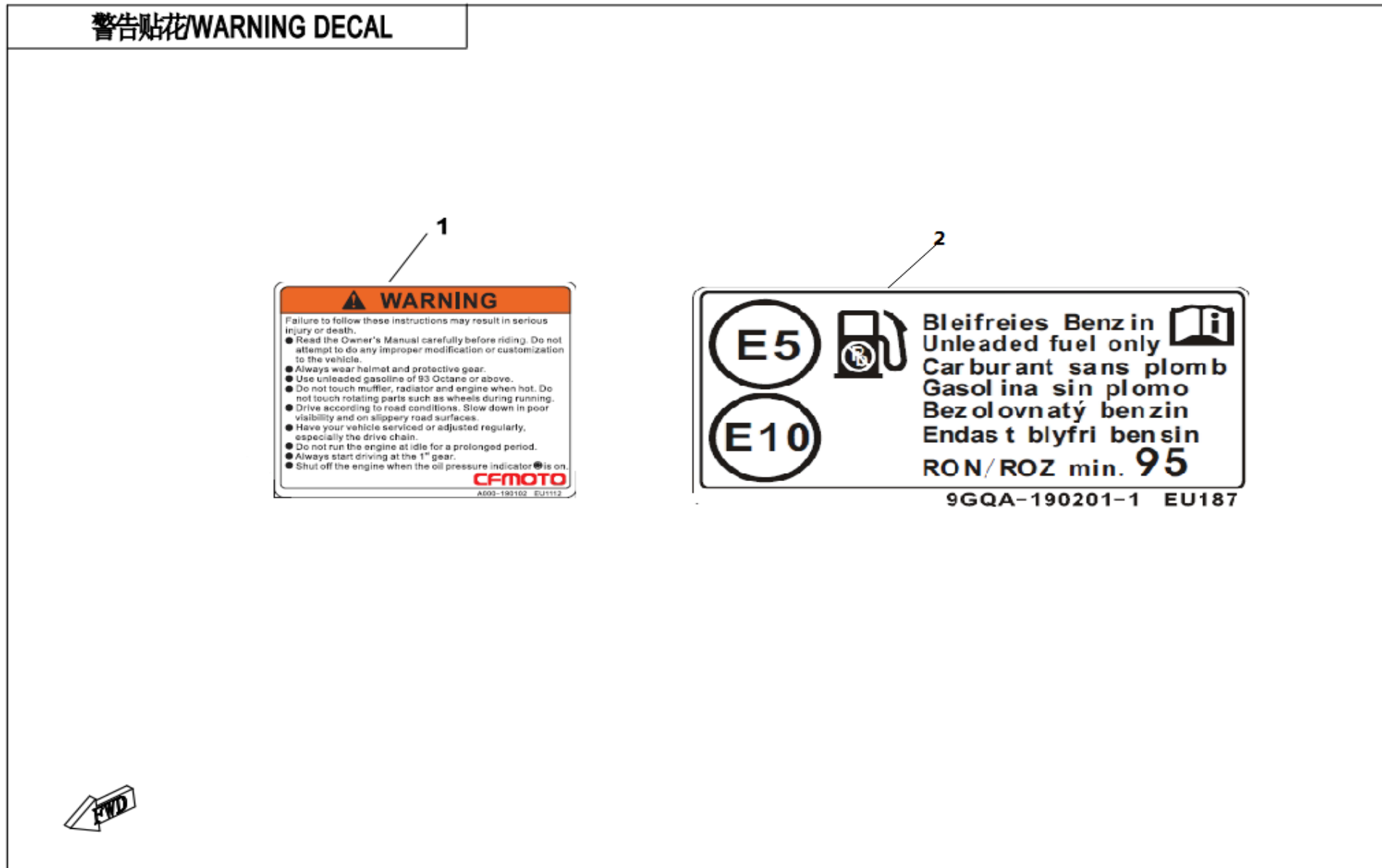
NON ABS, BLACK BIKE



Item No	Parts Number	Parts Name(EN)	Parts Name(CN)	Qty	Specification
01	6KM0-170300-00002	LCD DASHBOARD	液晶仪表	1	BLACK BIKE ONLY (NO ABS)
02	6KM0-030004-0B200	MOUNTING BRACKET ,DASHBOARD	仪表安装支架	1	MATTE BLACK
03	30102-060016810	SCREW	螺钉	2	
04	5020-031001	RUBBER SLEEVE, FRONT LICENSE BRACKET	前牌照支架橡胶胶套	2	
05	5020-031002	RUBBER SLEEVE LINER, FRONT LICENSE BRACKET	前牌照支架橡胶套衬套	2	
06	30202-060110	NUT M6	螺母	2	M6
07	6KM0-170310	ADAPTOR CABLE, DASHBOARD	仪表转接线	1	



Item No	Parts Number	Parts Name(EN)	Parts Name(CN)	Qty	Specification
01	30006-060020810	BOLT M6x20	螺栓	2	M6x20
02	6090-180001	RUBBER MAT, CUSHION	减震胶垫	3	
03	6090-180002	BUSHING	衬套	2	
04	6100-180001	CLAMP B24	环箍B24	2	
05	6KM0-180002	WATER OUTLET HOSE, RADIATOR	散热器出水管	1	
06	6KM0-180004	CLAMP B28	卡箍 B28	2	
07	6KM0-180001	WATER INLET HOSE, RADIATOR	散热器进水管	1	
08	6KM0-180110	RADIATOR ASSY	散热器焊接组件	1	
09	8030-040800-00001	NUT CLIP M6	M6螺母夹	2	M6
10	30601-113010	CLAMP A13	环箍	2	A13
11	0010-136100	CAP, WATER FILLER	加水口盖组件	1	CHINESE
12	6KM0-180003	WATER HOSE, RESERVOIR TANK	副水箱水管	1	
13	6KJ0-180001	OVERFLOW HOSE, RESERVOIR	副水箱漏水管	1	
14	30601-109010	CLAMP A9	环箍	1	
15	6KJ0-180310	RESERVIOR TANK ASSY	副水箱组件	1	
16	6090-180200	FAN & MOTOR ASSY	电机_风扇组合	1	
17	6KM0-180100	RADIATOR & FAN ASSY	散热器风扇组合	1	
18	30006-060016810	BOLT M6x16	螺栓	2	M6x16
19	8010-000004	BOLT M6x14	凸缘螺栓M6×14	1	M6x14
20	6KJ0-180302	CAP, RESERVOIR TANK	副水箱盖	1	



Item No	Parts Number	Parts Name(EN)	Parts Name(CN)	Qty	Specification
01	6NQ#-190002-6002	INSTRUCTION LABEL, SAFETY WARNING	安全警告说明标贴	1	
02	9GQA-190201-10000	WARNING LABEL, FUEL FILLING PORT	加油口警告标贴	1	

CF250-A银白

6KMA-191000个性贴花总成

6KM0-191001 油箱左护板贴花

6KM0-191002 油箱右护板贴花

-  BLACK
-  银白 V1
-  平光黑银 H3
-  PANTONE Cool Gray 6C
-  珊瑚蓝



6KM0-191005 ABS贴花*2



6KMA-191006型号贴花*2



6KM0-191007 CFMOTO贴花*2



6KM0-191003 座垫左护板贴花



6KM0-191004 座垫右护板贴花

Item No	Parts Number	Parts Name(EN)	Parts Name(CN)	Qty	Specification
01	6KMA-191000	DECAL	个性贴花总成	1	
02	6KM0-191001	DECAL, FUEL TANK LH PANEL	油箱左护板贴花	1	
03	6KM0-191002	DECAL, FUEL TANK RH PANEL	油箱右护板贴花	1	
04	6KM0-191003	DECAL, SEAT LH PANEL	座垫左护板贴花	1	
05	6KM0-191004	DECAL, SEAT RH PANEL	座垫右护板贴花	1	
06	6KM0-191005	ABS DECAL	ABS贴花	2	
07	6KM0-191007	CFMOTO STICKER	CFMOTO贴花	2	
08	6KMA-191006	MODEL DECAL	型号贴花	2	

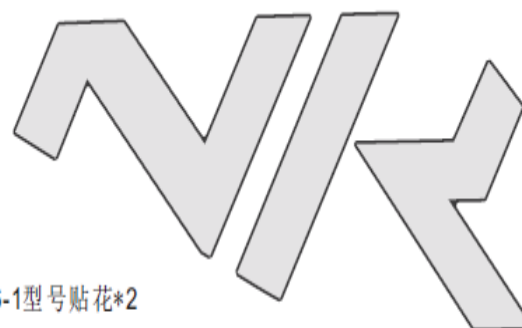
CF250-A 平光黑银

6KMA-191000-1个性贴花总成

6KM0-191001-1 油箱左护板贴花

6KM0-191002-1 油箱右护板贴花

- BLACK
- 平光黑银 H3
- PANTONE Cool Gray 6C
- 银白 V1



6KMA-191006-1型号贴花*2



6KM0-191007-1 CFMOTO贴花*2

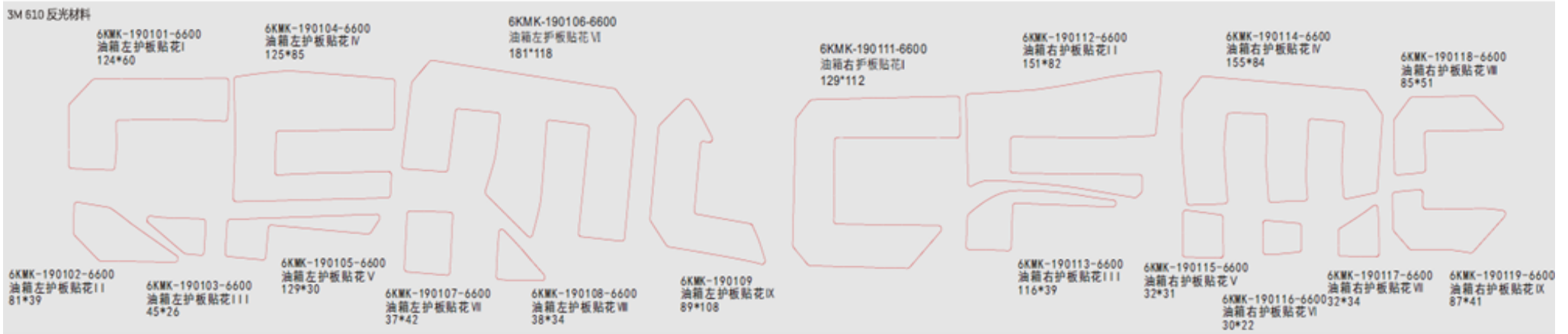


6KM0-191003-1 座垫左护板贴花

6KM0-191004-1 座垫右护板贴花

Item No	Parts Number	Parts Name(EN)	Parts Name(CN)	Qty	Specification
01	6KMA-191000-10000	DECAL	个性贴花总成	1	
02	6KM0-191001-10000	DECAL, FUEL TANK LH PANEL	油箱左护板贴花	1	
03	6KM0-191002-10000	DECAL, FUEL TANK RH PANEL	油箱右护板贴花	1	
04	6KM0-191003-10000	DECAL, SEAT LH PANEL	座垫左护板贴花	1	
05	6KM0-191004-10000	DECAL, SEAT RH PANEL	座垫右护板贴花	1	
06	6KM0-191007-10000	CFMOTO STICKER	CFMOTO贴花	2	
07	6KMA-191006-10000	MODEL DECAL	型号贴花	2	

250NK 30周年纪念版量产贴花配色



光白材料-亮光光油



透明材料-亮光光油



6KMK-190131-6600
30周年左贴花
117*44



6KMK-190132-6600
30周年右贴花
154*45

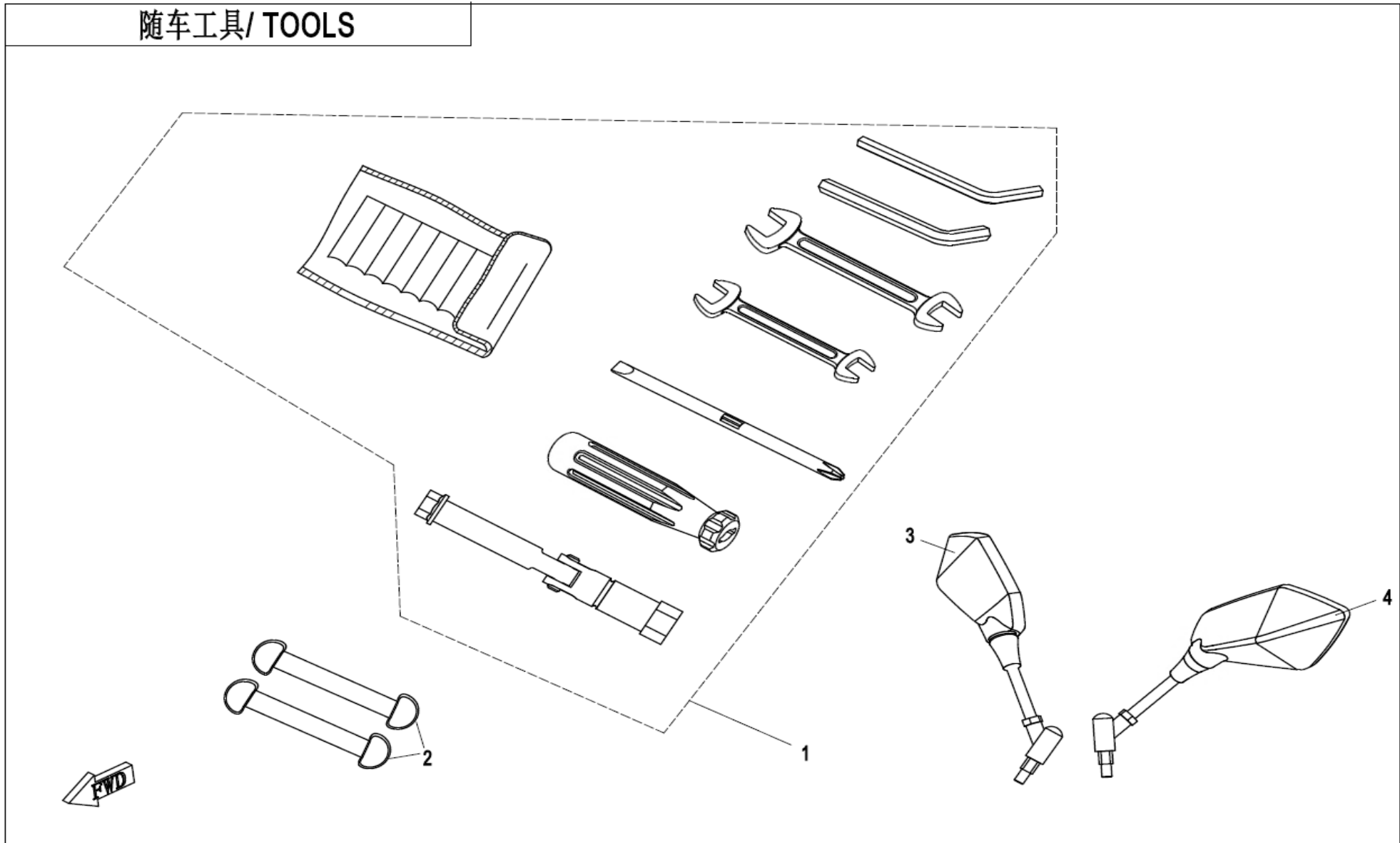
6KMA-191006-1
型号贴花x2
67*8



借用量产贴花



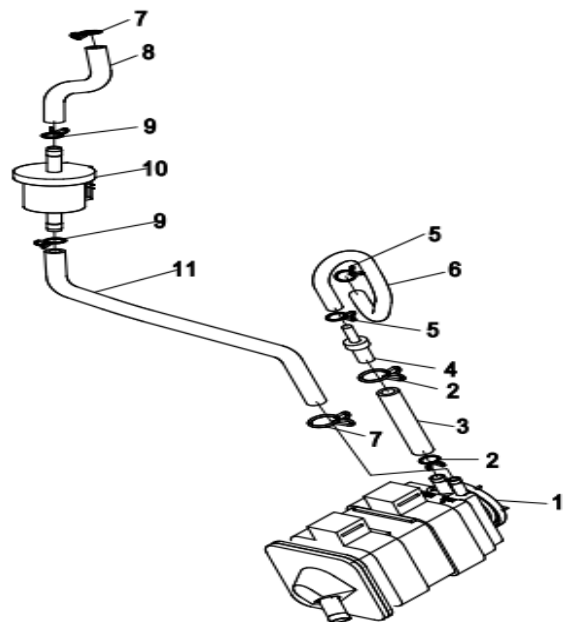
Item No	Parts Number	Parts Name(EN)	Parts Name(CN)	Qty	Specification
02	6KMA-191006-10000	MODEL DECAL	型号贴花	2	
03	6KMK-190101-6600	DECAL 1, FUEL TANK LH PANEL	油箱左护板贴花I	1	
04	6KMK-190102-6600	DECAL 2, FUEL TANK LH PANEL	油箱左护板贴花II	1	
05	6KMK-190103-6600	DECAL 3, FUEL TANK LH PANEL	油箱左护板贴花III	1	
06	6KMK-190104-6600	DECAL 4, FUEL TANK LH PANEL	油箱左护板贴花IV	1	
07	6KMK-190105-6600	DECAL 5, FUEL TANK LH PANEL	油箱左护板贴花V	1	
08	6KMK-190106-6600	DECAL 6, FUEL TANK LH PANEL	油箱左护板贴花VI	1	
09	6KMK-190107-6600	DECAL 7, FUEL TANK LH PANEL	油箱左护板贴花VII	1	
10	6KMK-190108-6600	DECAL 8, FUEL TANK LH PANEL	油箱左护板贴花VIII	1	
11	6KMK-190109-6600	DECAL 9, FUEL TANK LH PANEL	油箱左护板贴花IIX	1	
12	6KMK-190111-6600	DECAL 1, FUEL TANK RH PANEL	油箱右护板贴花I	1	
13	6KMK-190112-6600	DECAL 2, FUEL TANK RH PANEL	油箱右护板贴花II	1	
14	6KMK-190113-6600	DECAL 3, FUEL TANK RH PANEL	油箱右护板贴花III	1	
15	6KMK-190114-6600	DECAL 4, FUEL TANK RH PANEL	油箱右护板贴花IV	1	
16	6KMK-190115-6600	DECAL 5, FUEL TANK RH PANEL	油箱右护板贴花V	1	
17	6KMK-190116-6600	DECAL 6, FUEL TANK RH PANEL	油箱右护板贴花VI	1	
18	6KMK-190117-6600	DECAL 7, FUEL TANK RH PANEL	油箱右护板贴花VII	1	
19	6KMK-190118-6600	DECAL 8, FUEL TANK RH PANEL	油箱右护板贴花VIII	1	
20	6KMK-190119-6600	DECAL 9, FUEL TANK RH PANEL	油箱右护板贴花IIX	1	
21	6KMK-190121-6600	LH COLOR DECAL I	左分色贴花I	1	
22	6KMK-190122-6600	LH COLOR DECAL II	左分色贴花II	1	
23	6KMK-190123-6600	LH COLOR DECAL III	左分色贴花III	1	
24	6KMK-190124-6600	RH COLOR DECAL I	右分色贴花I	1	
25	6KMK-190125-6600	RH COLOR DECAL II	右分色贴花II	1	
26	6KMK-190126-6600	RH COLOR DECAL III	右分色贴花III	1	
27	6KMK-190127-6600	DECAL, RIM	轮辋贴花	4	
28	6KMK-190128-6600	DECAL, REAR RIM	后轮辋贴花	2	
29	6KMK-190129-6600	DECAL, FRONT RIM	前轮辋贴花	2	
30	6KMK-190131-6600	LH DECAL, ANNIVERSARY	30周年左贴花	1	
31	6KMK-190132-6600	RH DECAL, ANNIVERSARY	30周年右贴花	1	



Item No	Parts Number	Parts Name(EN)	Parts Name(CN)	Qty	Specification
02	8010-000012	TIE BAND ASSY	弹性扣带组件	2	
03	A000-200300-30001	REAR VIEW MIRROR ASSY, RH	右后视镜总成	1	
04	A000-200200-30001	REAR VIEW MIRROR ASSY, LH	左后视镜总成	1	

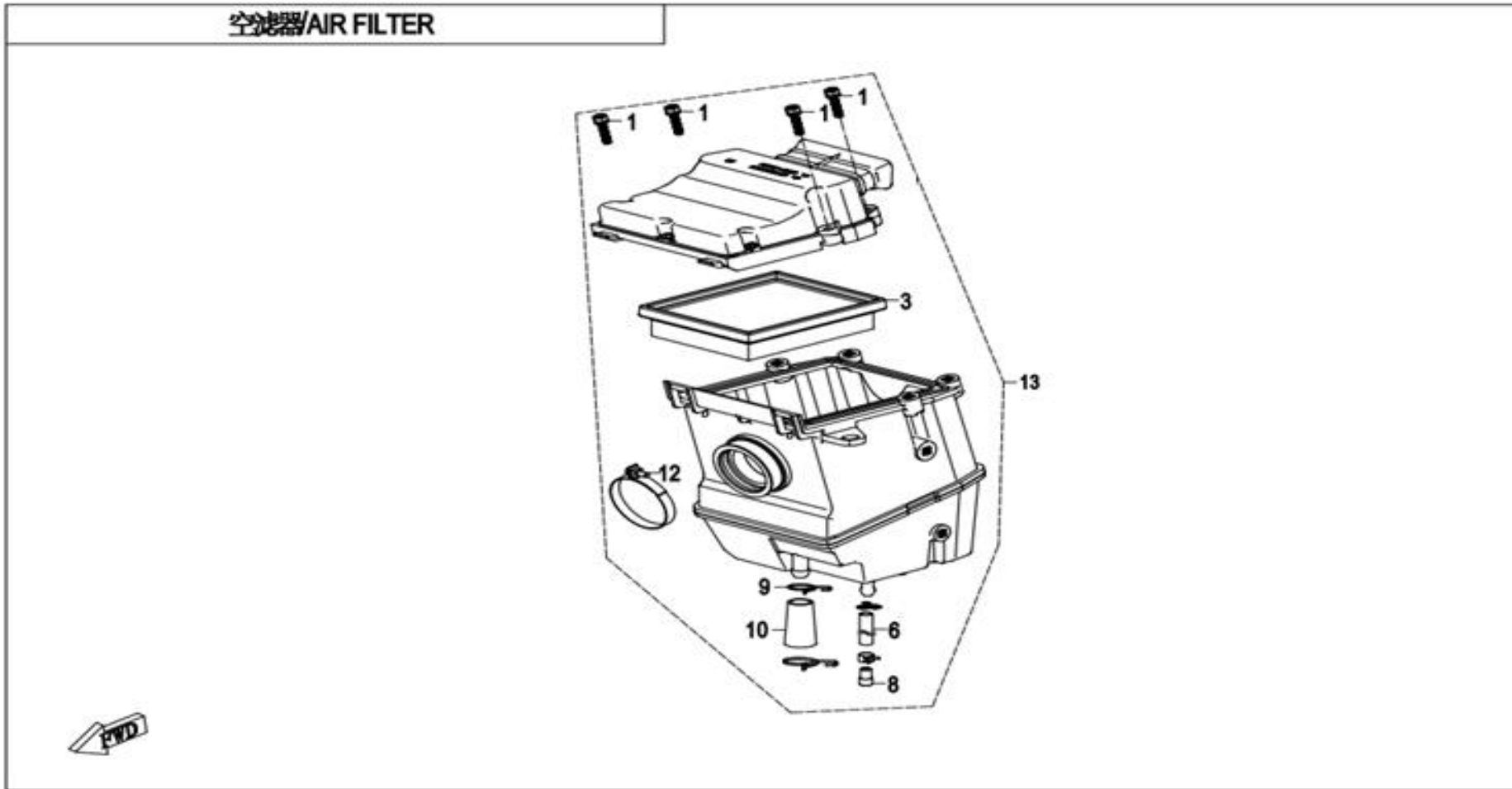
F36 燃油蒸发系统 FUEL VAPORIZATION SYSTEM

燃油蒸发系统 FUEL VAPORIZATION SYSTEM



Item No	Parts Number	Parts Name(EN)	Parts Name(CN)	Qty	Specification
01	6NT1-360200	CANISTER	炭罐	1	
02	30601-112010	CLAMP A12	环箍	2	A12
03	6NQ0-360005	FUEL VAPOR HOSE 5	燃油蒸气管V	1	
04	8010-180018	JOINT, HEAT TRANSMIT PIPE	传热水管接头	1	
05	30601-107010	CLAMP A7	环箍A7	2	A7
06	6KM0-360003	FUEL VAPERIZATION PIPE 3	燃油蒸发管III	1	
07	30601-109010	CLAMP A9	环箍	2	
08	6KM0-360001	FUEL VAPERIZATION PIPE I	燃油蒸发管I	1	
09	30601-110010	CLAMP A10	环箍	2	A10
10	9GQ0-360100	TWO-WAY VALVE	双向阀	1	
11	6KM0-360002	FUEL VAPERIZATION PIPE 2	燃油蒸发管II	1	

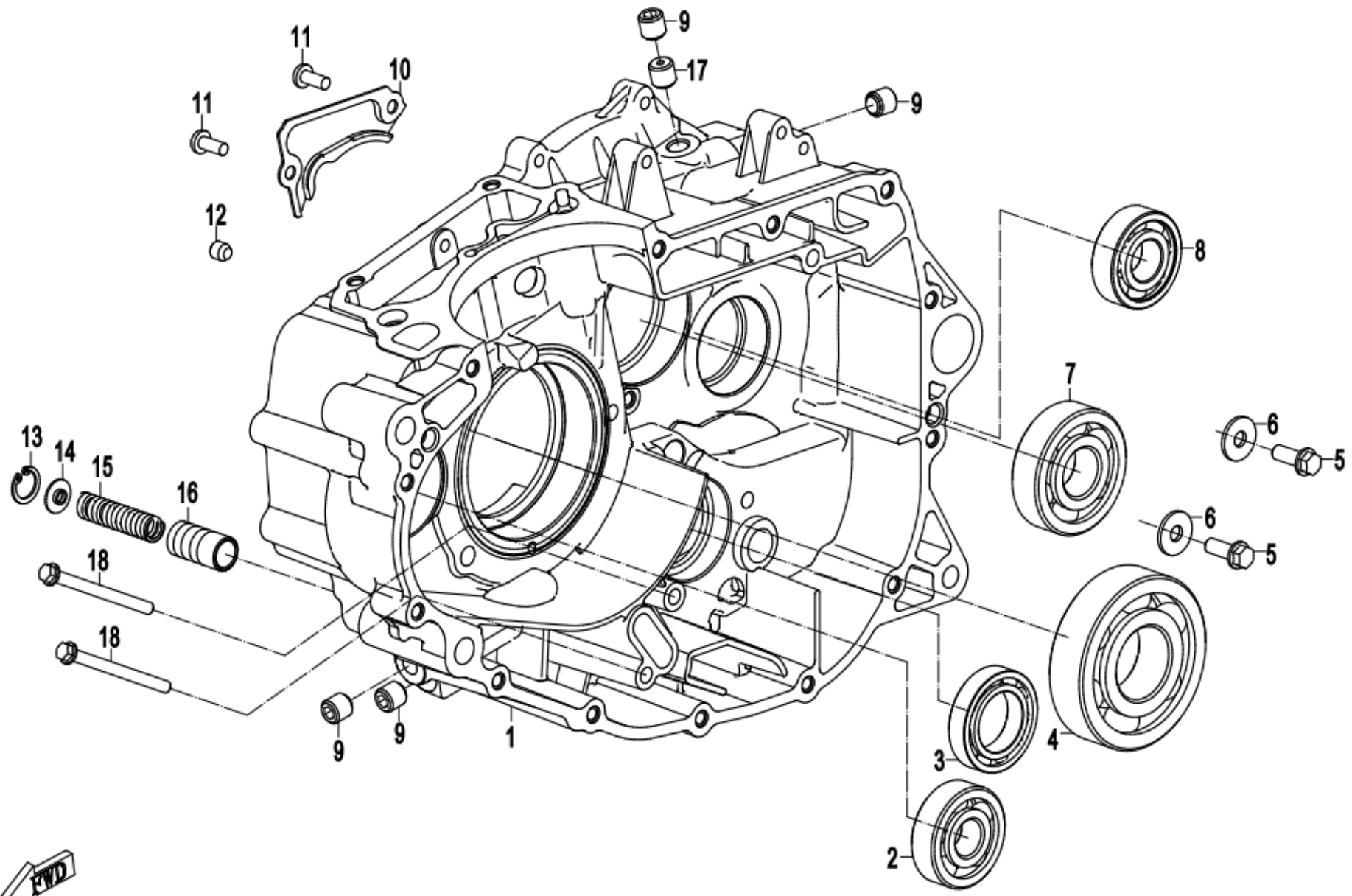
F41 空滤器 AIR FILTER



Item No	Parts Number	Parts Name(EN)	Parts Name(CN)	Qty	Specification
01	30114-060025470	SCREW ASSY M6x25	螺钉组合件	4	M6x25
03	ODM0-110100	AIR FILTER ELEMENT	空滤滤芯组件	1	
06	ODM0-110010	OIL STORAGE HOSE	储油管	1	
08	ODM0-110012	PLUG, OIL STORAGE HOSE	储油管堵头	1	
09	30601-118010	CLAMP A18	环箍	1	
10	ODM0-110009	BREATHER HOSE	通气管	1	
12	ODM0-110200	CLAMP ASSY	卡箍组件	1	
13	ODM0-110000	AIR FILTER ASSY	空滤器总成	1	

E01-1 右曲轴箱分总成 RIGHT CRANKCASE

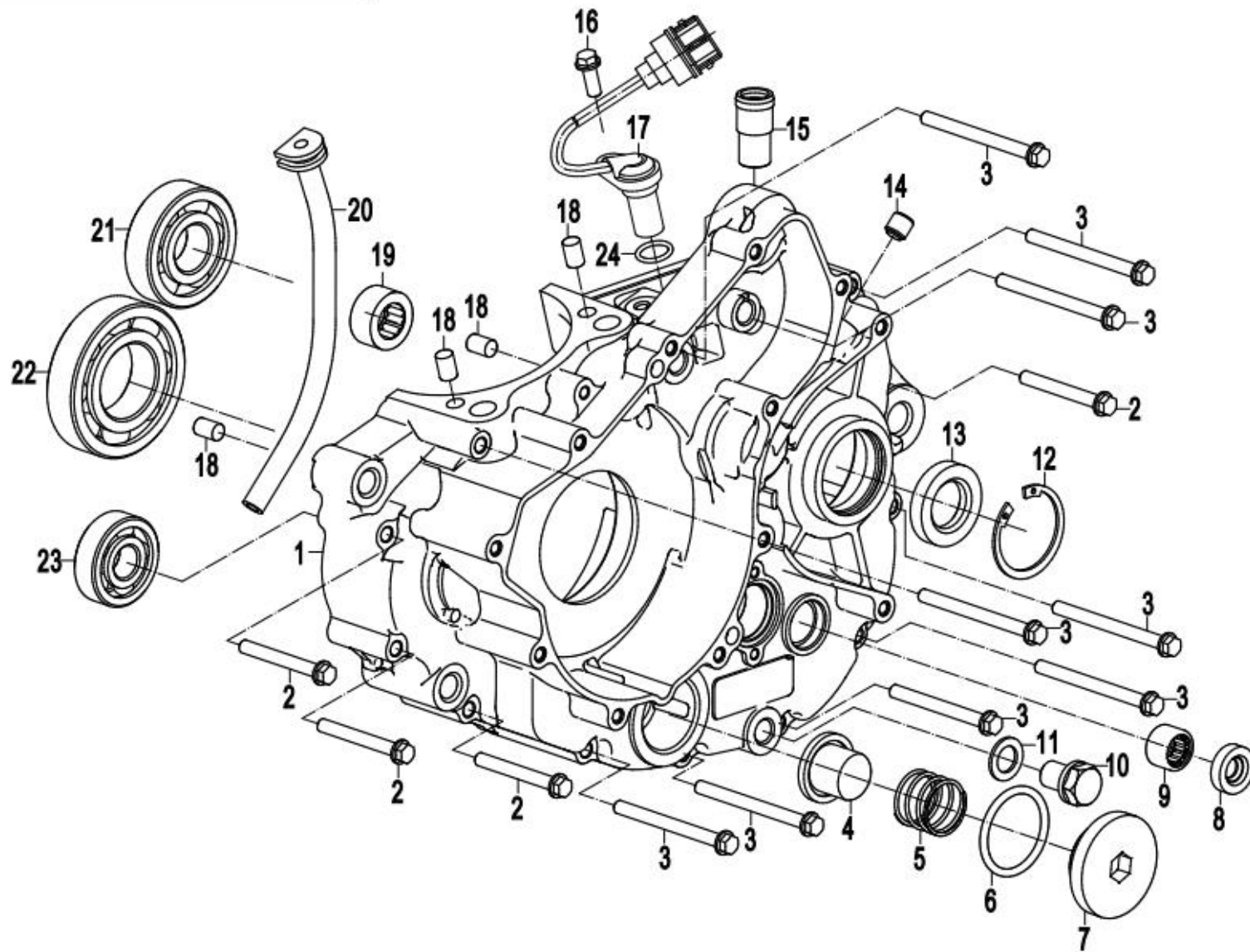
右曲轴箱分总成/RIGHT CRANKCASE



Item No	Parts Number	Parts Name(EN)	Parts Name(CN)	Qty	Specification
01	ODM0-012010-0B203	RH CRANKCASE ASSY	右曲轴箱组件	1	MATTE BLACK
02	30499-01507	BEARING	滚动轴承	1	
03	30499-02506	BEARING	滚动轴承	1	
04	30499-03001	BEARING	滚动轴承	1	
05	0010-090005-0010	BOLT M6x16	螺栓	2	M6x16
06	30305-060112	WASHER	垫圈	2	6
07	30499-02005	BEARING	滚动轴承	1	
08	30499-01700	BEARING	滚动轴承	1	17
09	01A0-012010-00001	SCREW	螺钉	4	
10	ODM0-012001	VENTILATED COVER PLATE	通气盖板	1	
11	30105-050012890	SCREW M5x12	螺钉M5×12	2	M5x12
12	0A70-013004	PLUG	堵头	1	
13	30800-01405	CIRCLIP FOR HOLE 14	孔用弹性挡圈14	1	14
14	0800-073004	SPRING SEAT, RELIEF VALVE	限压阀弹簧座	1	
15	01A0-012007	SPRING, RELIEF VALVE	限压阀弹簧	1	
16	ODM0-012003	CORE, RELIEF VALVE	限压阀芯	1	
17	ODM0-012002	RESTRICTION PLUG	节流塞	1	
18	0020-011018-00001	BOLT M6x70	螺栓	2	M6x70

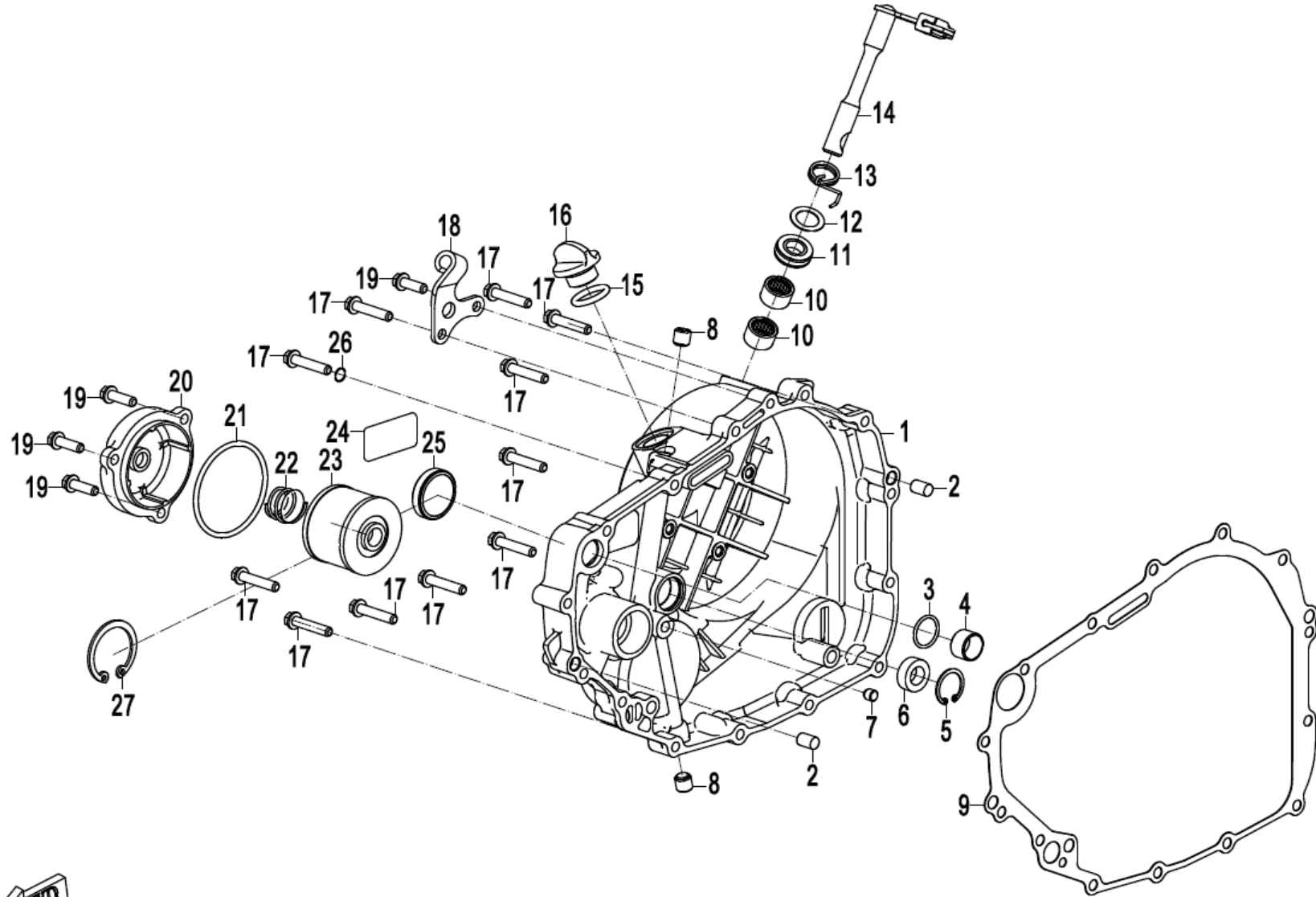
E01-2 左曲轴箱分总成 LEFT CRANKCASE

左曲轴箱分总成 LEFT CRANKCASE



Item No	Parts Number	Parts Name(EN)	Parts Name(CN)	Qty	Specification
01	ODM0-011010-0B202	LH CRANKCASE ASSY.	左曲轴箱组件	1	
02	0010-013010-0010	BOLT M6x50	螺栓	4	M6x50
03	0020-011018-00001	BOLT M6x70	螺栓	9	M6x70
04	ODM0-011030	OIL STRAINER	机油滤网	1	
05	01A0-012009	SCREEN SPRING	滤网压簧	1	
06	01A0-012003	O-SEAL RING 35x3.5	O形密封圈	1	35x3.5
07	01A0-012002-0H700	COVER, OIL STRAINER	滤网盖	1	SILVER GREY
08	0700-065220	OIL SEAL 13x22x5.5	油封	1	13x22x5.5
09	30403-01300	NEEDLE BEARING HK1312	滚针轴承HK1312	1	HK1312
10	0180-011500	DRAIN BOLT, MAGNETIC M12X1.5	磁性放油螺栓	1	M12x1.5
11	0010-021014	WASHER 12	垫圈12	1	12
12	30800-04005	CIRCLIP FOR HOLE	孔用弹性挡圈	1	
13	ODM0-011007	OIL SEAL 22x38x7	油封	1	
14	01A0-012010-00001	SCREW	螺钉	1	
15	0700-011103	PIPE BREATHER	呼吸器通气管	1	
16	0010-090005-0010	BOLT M6x16	螺栓	1	M6x16
17	ODM0-011020	SPEED SENSOR	车速传感器	1	
18	30410-00800	ROLLER	圆柱滚子	4	
19	ODM0-011050	BEARING 17x27x13	轴承	1	
20	ODM0-011005	OIL RETURN PIPE,ENGINE	回油管	1	
21	30499-02201	BEARING	滚动轴承	1	
22	30499-03501	BEARING	滚动轴承	1	
23	30499-01507	BEARING	滚动轴承	1	
24	ODM0-011006	O-SEAL RING 13x2	O形密封圈	1	

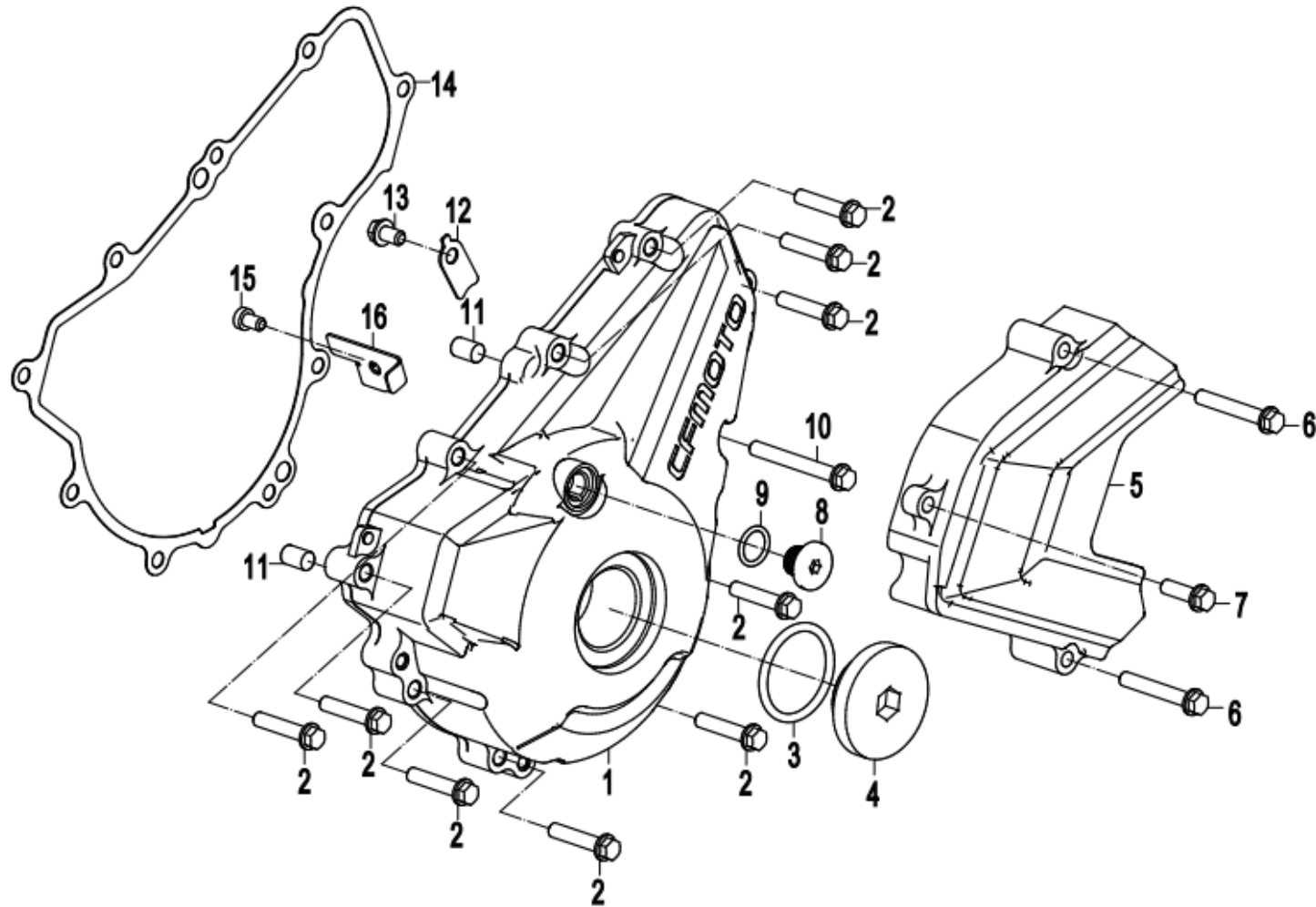
右侧盖分总成/RIGHT SIDE COVER ASSY



Item No	Parts Number	Parts Name(EN)	Parts Name(CN)	Qty	Specification
01	ODM0-013005-1HA04	RH SIDE COVER	右侧盖	1	SILVER GREY@TREATMENT POWDER
02	30410-00800	ROLLER	圆柱滚子	2	
03	30502-018000F	O-RING	O形圈	1	
04	ODM0-013002	WATER PIPE	过水管	1	
05	30800-02205	CIRCLIP FOR HOLE	孔用弹性挡圈	1	22
06	ODM0-013007	OIL SEAL,CRANKCASE	曲轴油封	1	
07	0A70-013004	PLUG	堵头	1	
08	01A0-012010-00001	SCREW	螺钉	2	
09	ODM0-013001-00001	GASKET, RH SIDE COVER	右侧盖密封垫	1	
10	30403-01200	NEEDLE BEARING HK1210	滚针轴承HK1210	2	HK1210
11	0010-080009	OIL SEAL	油封	1	12x20x5
12	0700-013007	WASHER	垫圈	1	12.5x18.5x0.6
13	0700-013006-10000	RETURN SPRING, CLUTCH CONTROL LEVER	离合操纵杆回位扭簧	1	
14	ODM0-013300-30000	CLUTCH CONTROL SHAFT ASSY	离合控制轴组件	1	
15	0110-013030	O-SEAL RING 18x3.55	O形密封圈	1	18x3.55
16	0700-013008	PLUG, OIL FILLING	加油塞	1	
17	0010-060012-0010	BOLT M6x30	螺栓	11	M6x30
18	ODM0-013011-10000	BRACKET, CLUTCH CABLE	离合拉线支架	1	
19	0010-023010-0010	BOLT M6x20	螺栓	4	M6x20
20	ODM0-013003-0HB01	OIL FILTER COVER	机滤盖	1	MATTE BLACK
20	ODM0-013003-0H701	OIL FILTER COVER	机滤盖	1	SILVER GREY
21	30502-057000F	O-RING 57x3	O形圈57x3	1	57x3
22	ODM0-013009	SPRING, FILTER ELEMENT	滤芯压簧	1	
23	ODM0-013200	OIL FILTER ASSY, ENGINE	机油滤芯组件	1	
25	0700-013100-00001	VIEWER, OIL LEVEL	油面观察窗组合	1	
26	0700-012201	O-SEAL RING 5x2	O形密封圈	1	5x2
27	0HU0-013009	RETAINER	钢丝挡圈	1	

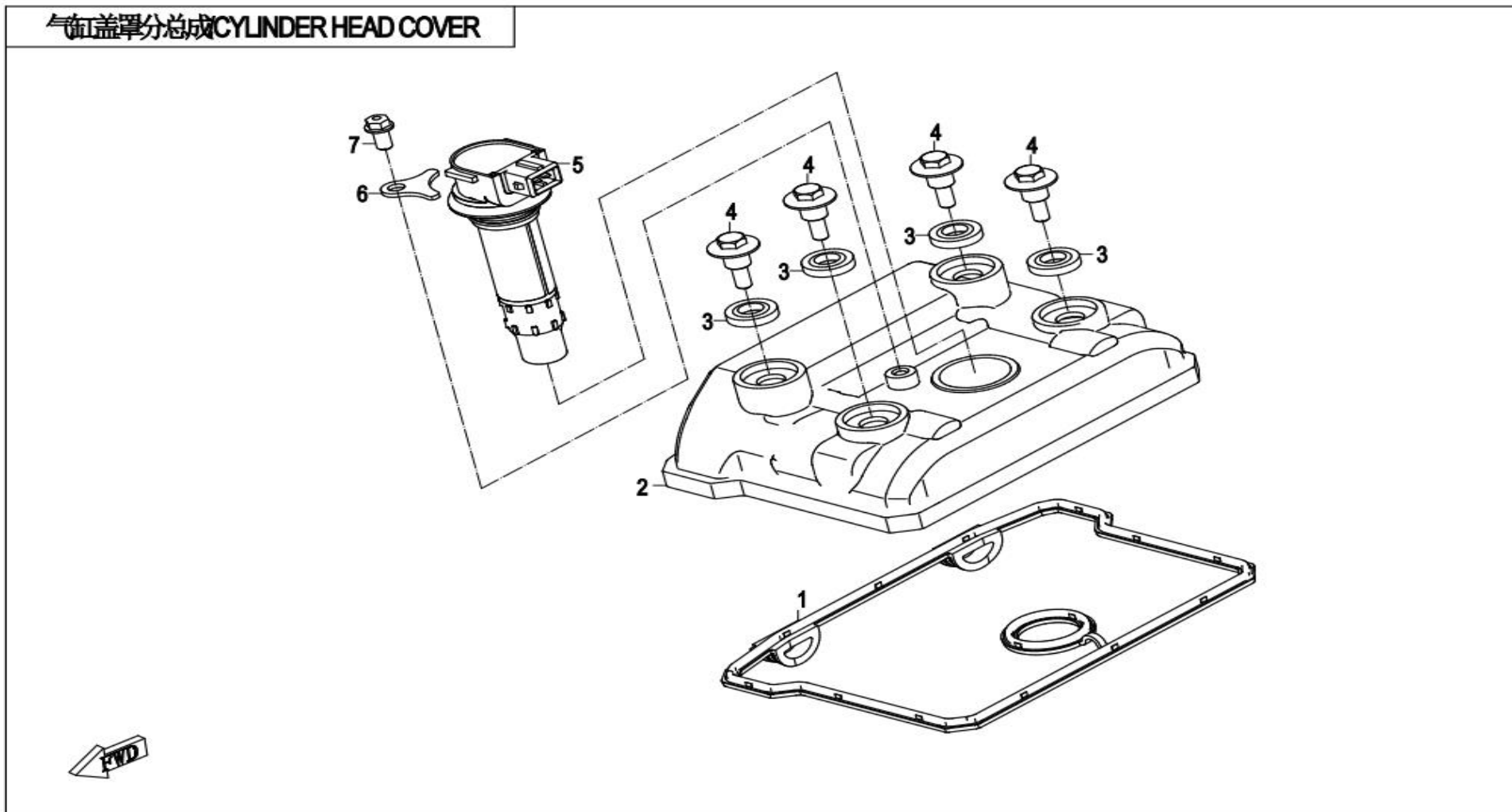
E01-4 左侧盖分总成 LEFT SIDE COVER

左侧盖分总成 LEFT SIDE COVER



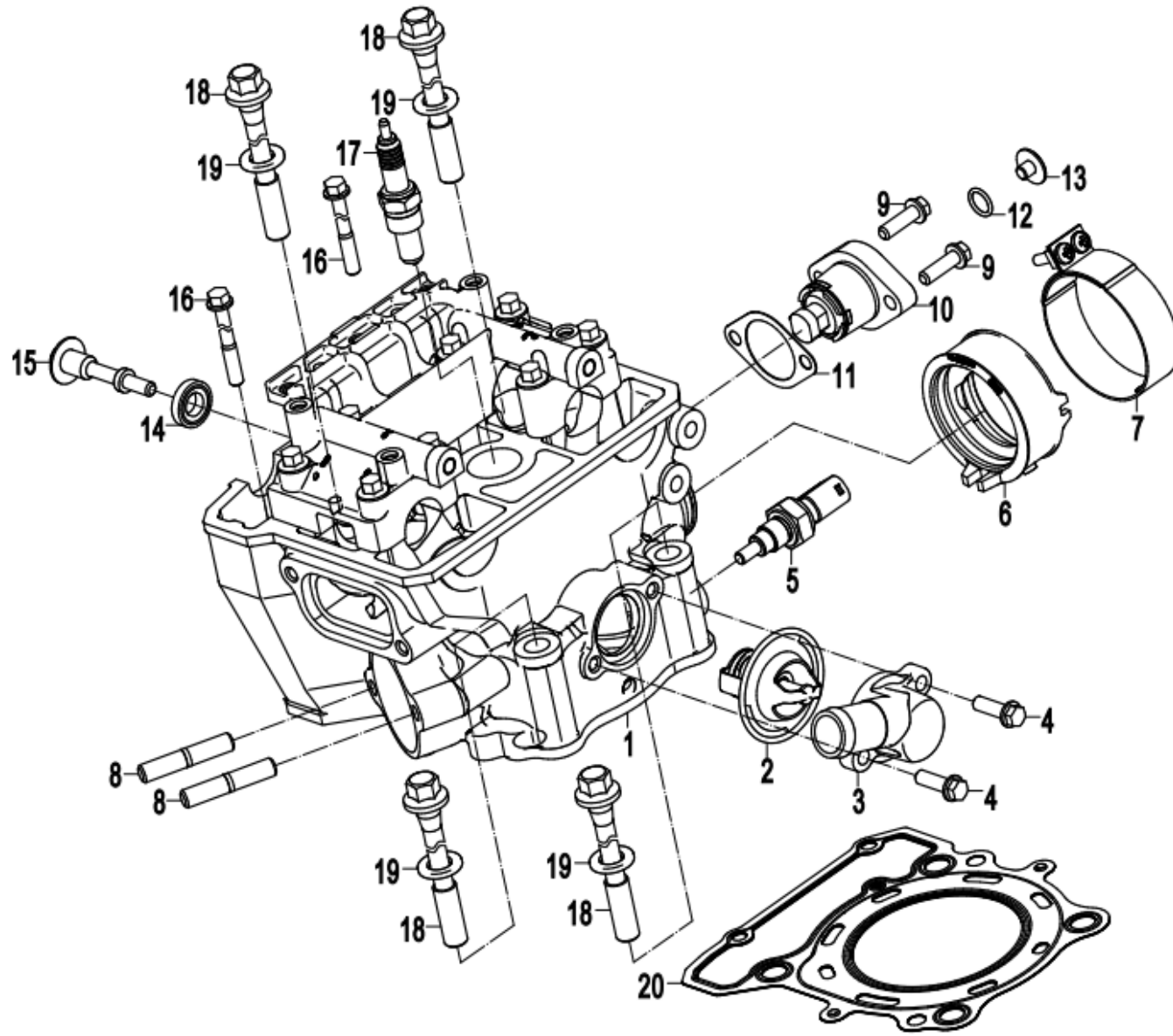
Item No	Parts Number	Parts Name(EN)	Parts Name(CN)	Qty	Specification
01	ODM0-014002-0H700	SIDE COVER, LH	左侧盖	1	SILVER GREY
02	0010-060012-0010	BOLT M6x30	螺栓	9	M6x30
03	01A0-012003	O-SEAL RING 35x3.5	O形密封圈	1	35x3.5
04	01A0-012002-0HA00	STRAINER COVER	滤网盖	1	SILVER GREY
05	ODM0-014100	REAR COVER ASSY, LH	左后盖组合	1	
06	0010-013009-0010	BOLT M6x40	螺栓	2	M6x40
07	0010-023010-0010	BOLT M6x20	螺栓	1	M6x20
08	ODM0-014003	VIEWING HOLE, TIMING INSPECTION	正时观察孔盖	1	
09	01A0-013005	O-SEAL RING	O形密封圈	1	13x2
10	0010-013010-0010	BOLT M6x50	螺栓	1	M6x50
11	30410-00800	ROLLER	圆柱滚子	2	
12	ODM0-014004	FIXING PAD, HARNESS	线束固定片	1	
13	0010-080010-0010	BOLT M6x10	螺栓	1	M6x10
14	ODM0-014001-00001	GASKET, LH SIDE COVER	左侧盖密封垫	1	
15	30102-050012810	SCREW M5x12	螺钉	1	M5x12
16	0A80-014005	WIRE CLAMP	导线压板	1	

E02-1 气缸盖罩分总成 CYLINDER HEAD COVER



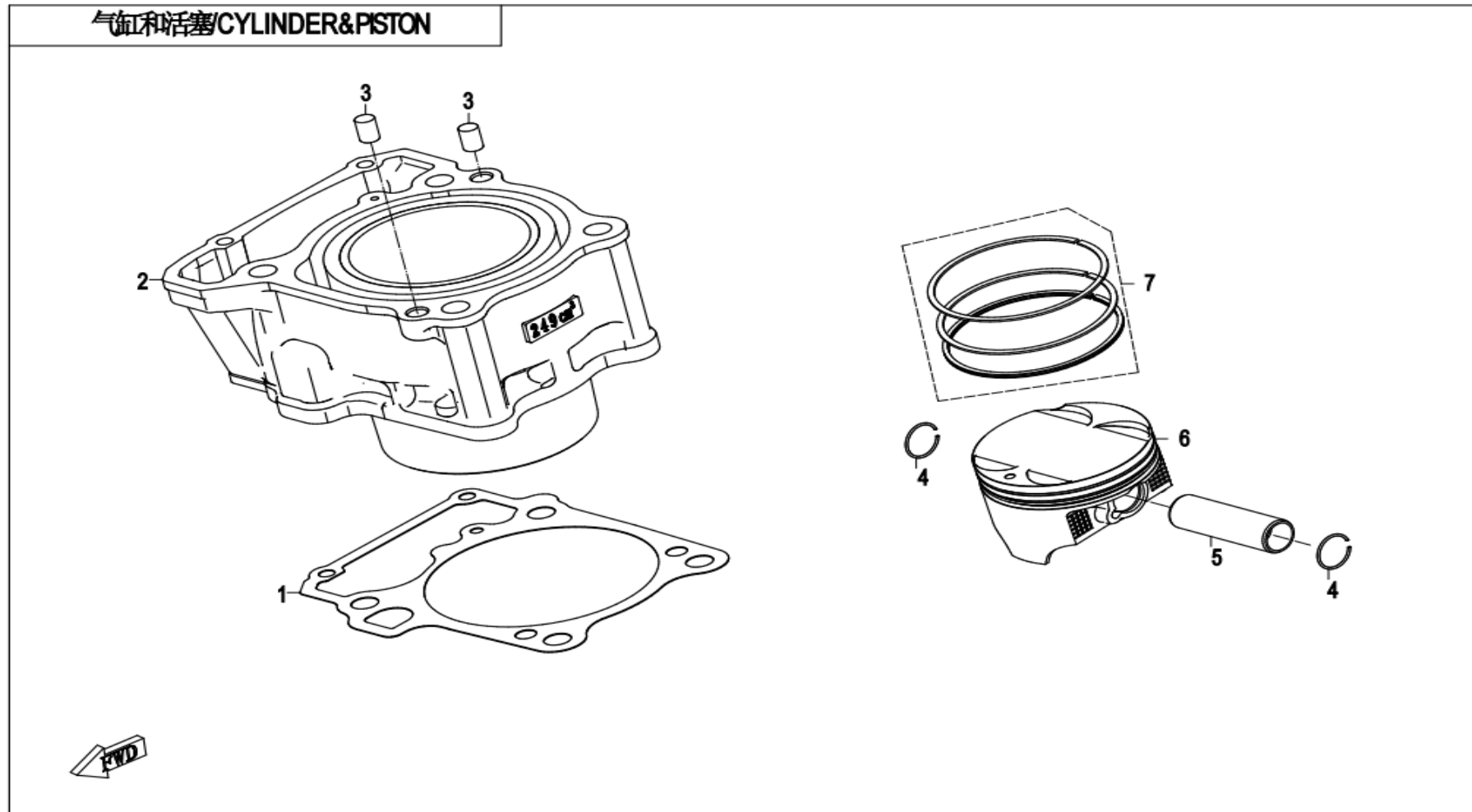
Item No	Parts Number	Parts Name(EN)	Parts Name(CN)	Qty	Specification
01	0DM0-021100	SEAL RING ASSY, CYLINDER HEAD COVER	气缸盖罩密封圈组件	1	
02	0DM0-021001-0HA00	CYLINDER HEAD COVER	气缸盖罩	1	
03	0700-021200	SEAL RING, CYLINDER HEAD COVER BOLT	气缸盖罩螺栓密封圈	4	
04	0700-021003-00001	BOLT, CYLINDER HEAD COVER	气缸盖罩螺栓	4	
05	0DM0-178000	IGNITION COIL	点火线圈	1	
06	0DM0-021002	PRESS PLATE	压板	1	
07	0010-021019-0010	BOLT M6x12	螺栓	1	M6x12

气缸盖分总成 CYLINDER HEAD



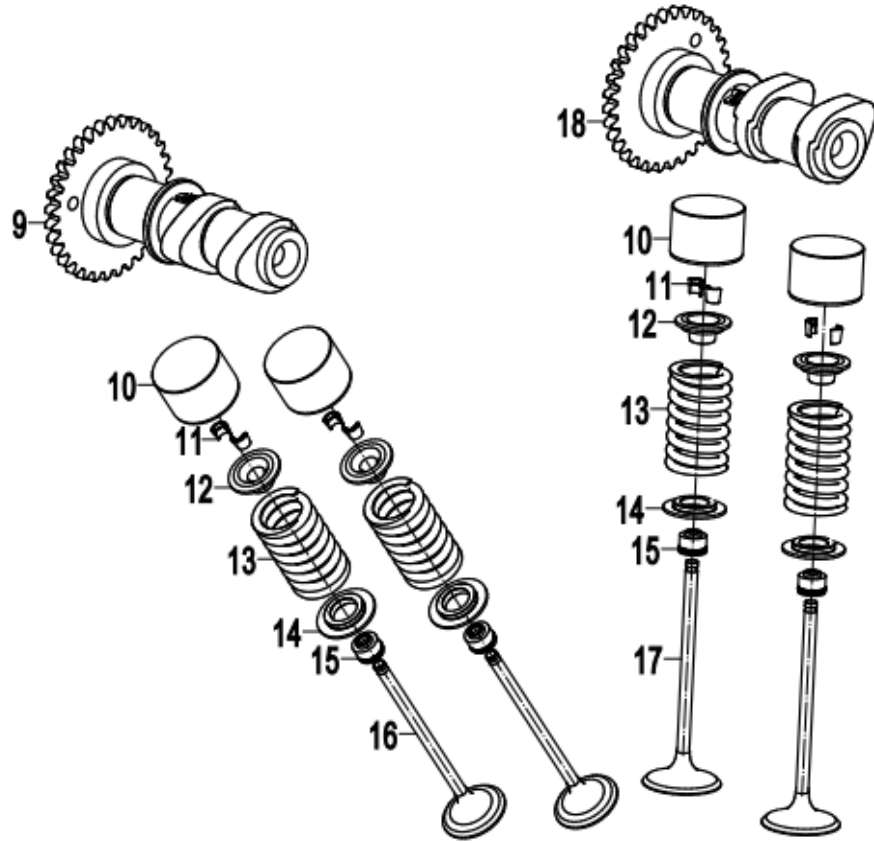
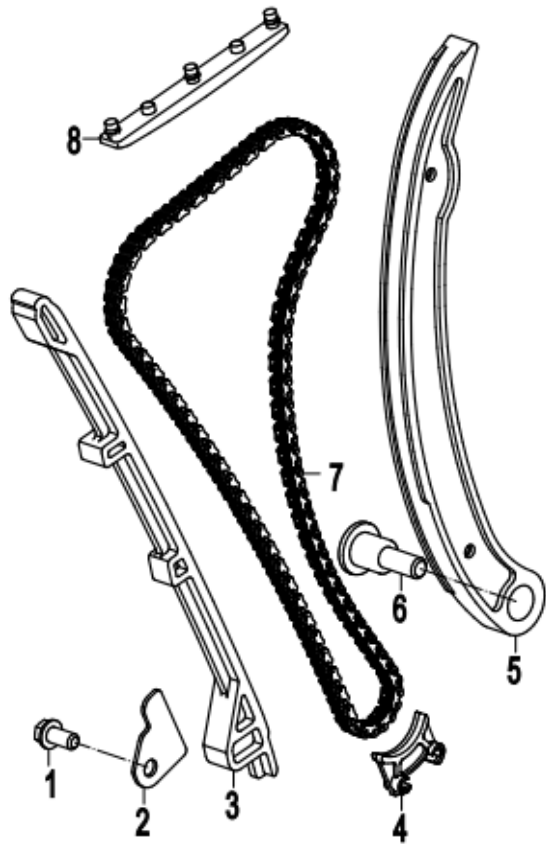
Item No	Parts Number	Parts Name(EN)	Parts Name(CN)	Qty	Specification
01	ODM0-022200-10000	CYLINDER HEAD	气缸盖部件	1	
02	ODM0-022400	THERMOSTAT ASSY	恒温器组件	1	
03	ODM0-022005-0B200	THERMOSTAT CAP	节温器盖	1	MATTE BLACK
04	0010-023010-0010	BOLT M6x20	螺栓	2	M6x20
05	018B-022810	WATER TEMPERATURE SENSOR	水温传感器	1	
06	ODM0-022006	CONNECTING PIPE, THROTTLE BODY	节气门体连接管	1	
07	ODM0-022300	CLAMP, CONNECTING PIPE	连接管卡箍组件	1	
08	0180-022003-00001	STUD	双头螺柱	4	
09	0010-080013-0010	BOLT M6x22	螺栓	2	M6x22
10	ODM0-024500	TENSIONER ASSY	张紧器组件	1	
11	ODM0-024011	SEALING GASKET, TENSIONER	张紧器密封垫	1	
12	0060-022001	O-SEAL RING	O形密封圈10×1.6	1	
13	0040-014001	CROSS SCREW	十字槽盘头螺钉	1	
13	0JYA-023001-00001	HEX FLANGE BOLT M6x6	六角大法兰面螺栓_M6X6	1	
14	0700-021200	SEAL RING, CYLINDER HEAD COVER BOLT	气缸盖罩螺栓密封圈	1	
15	ODM0-022008-00001	BOLT, CYLINDER HEAD	缸盖减震螺栓	1	
16	0010-011016-00001	BOLT M6x125	螺栓	2	M6x125
17	0700-170200	SPARK PLUG	火花塞组件	1	
18	0700-012013-00001	BOLT M5x12	螺栓	4	M5x12
19	0700-022016	WASHER 10.5x19x2.3	垫圈	4	10.5x19x2.3
20	ODM0-022100	GASKET KIT, CYLINDER HEAD	气缸盖垫片组件	1	

E02-3 气缸和活塞 CYLINDER & PISTON



Item No	Parts Number	Parts Name(EN)	Parts Name(CN)	Qty	Specification
01	ODM0-023001-10000	SEAL GASKET, CYLINDER	气缸体密封垫	1	
02	ODM0-023100-0B211	CYLINDER BODY	气缸体组件	1	MATTE BLACK
03	30410-00800	ROLLER	圆柱滚子	2	
04	0110-040006-0050	CIRCLIP, PISTON PIN	活塞销挡圈	2	
05	ODM0-040008	PISTON PIN	活塞销	1	
06	ODM0-040007-00021	PISTON (II)	活塞(II组)	1	
07	ODM0-040100	PISTON RING ASSY	活塞环组合	1	

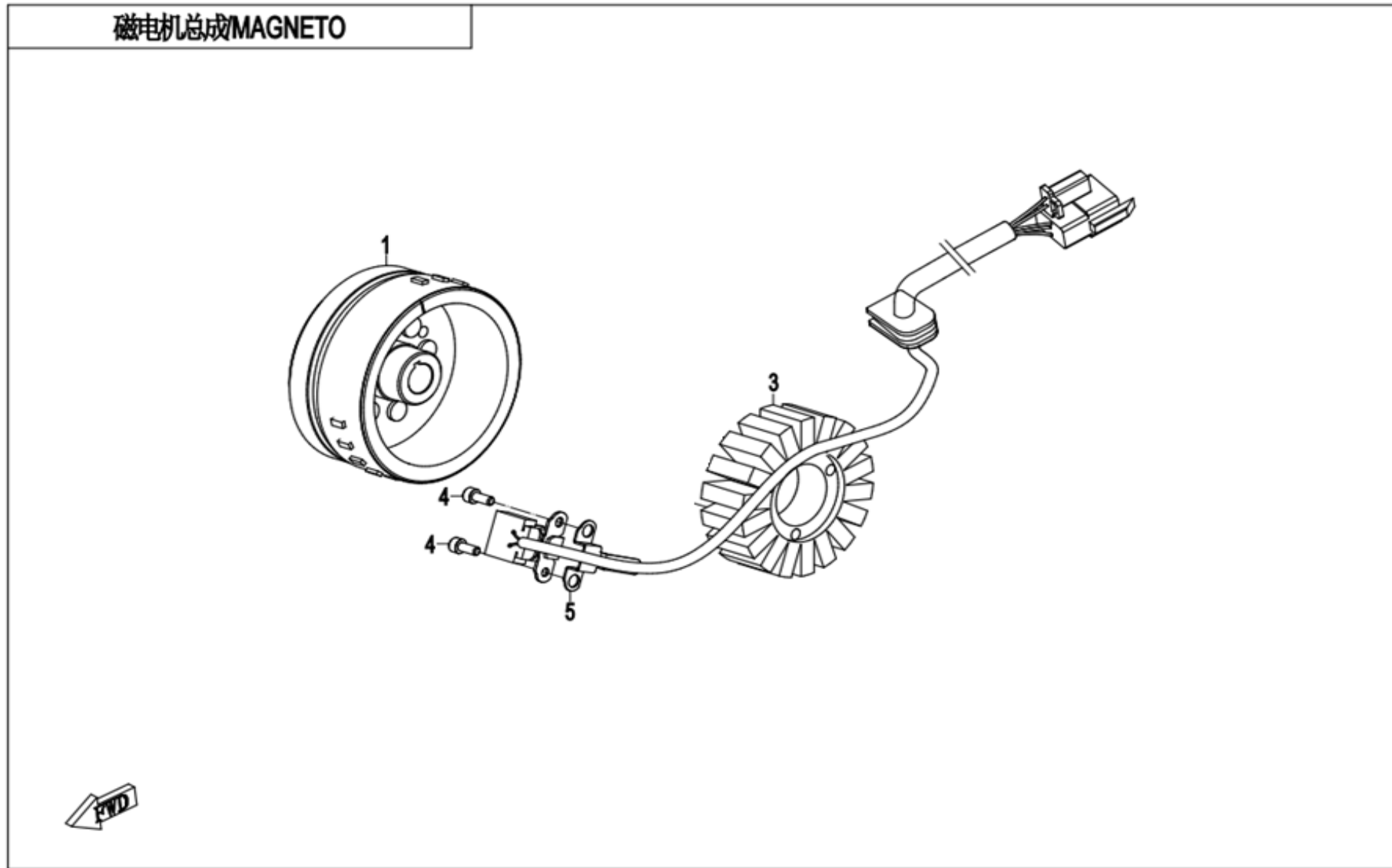
配气传动分总成/CAMSHAFT



Item No	Parts Number	Parts Name(EN)	Parts Name(CN)	Qty	Specification
01	0010-021019-0010	BOLT M6x12	螺栓	1	M6x12
02	ODM0-024002	STOPPER, CHAIN GUIDE	链条导板限位板	1	
03	ODM0-024008	CHAIN GUIDE	链条导板	1	
04	ODM0-024009	CHAIN GUARD	链条护卡	1	
05	ODM0-024400	TENSION PLATE ASSY	张紧板组件	1	
06	ODM0-024001	PIN SHAFT	螺纹销轴	1	
07	ODM0-024300	TIMING CHAIN	正时链条组件	1	
08	ODM0-024005	CHAIN GUIDE BLOCK	导链块	1	
09	ODM0-024200-10000	CAMSHAFT,EXHAUST	排气凸轮轴组件	1	
10	0700-022005-0090	TAPPET	挺柱	4	t=3.38
10	0700-022005-0100	TAPPET	挺柱	4	t=3.40
10	0700-022005-0110	TAPPET	挺柱	4	t=3.42
10	0700-022005-0120	TAPPET	挺柱	4	t=3.44
10	0700-022005-0130	TAPPET	挺柱	4	t=3.46
10	0700-022005-0140	TAPPET	挺柱	4	t=3.48
10	0700-022005-0150	TAPPET	挺柱	4	t=3.50
10	0700-022005-0160	TAPPET	挺柱	4	t=3.52
10	0700-022005-0170	TAPPET	挺柱	4	t=3.54
10	0700-022005-0180	TAPPET	挺柱	4	t=3.56
10	0700-022005-0190	TAPPET	挺柱	4	t=3.58
10	0700-022005-0200	TAPPET	挺柱	4	t=3.60
10	0700-022005-0210	TAPPET	挺柱	4	t=3.62
10	0700-022005-0220	TAPPET	挺柱	4	t=3.64
10	0700-022005-0230	TAPPET	挺柱	4	t=3.66
10	0700-022005-0240	TAPPET	挺柱	4	t=3.68
10	0700-022005-0250	TAPPET	挺柱	4	t=3.70
10	0700-022005-0260	TAPPET	挺柱	4	t=3.72
10	0700-022005-12800	TAPPET	挺柱	4	t=3.74
10	0700-022005-0280	TAPPET	挺柱	4	t=3.76
10	0700-022005-0290	TAPPET	挺柱	4	t=3.78
10	0700-022005-0300	TAPPET	挺柱	4	t=3.80
10	0700-022005-0310	TAPPET	挺柱	4	t=3.82
10	0700-022005-0320	TAPPET	挺柱	4	t=3.84

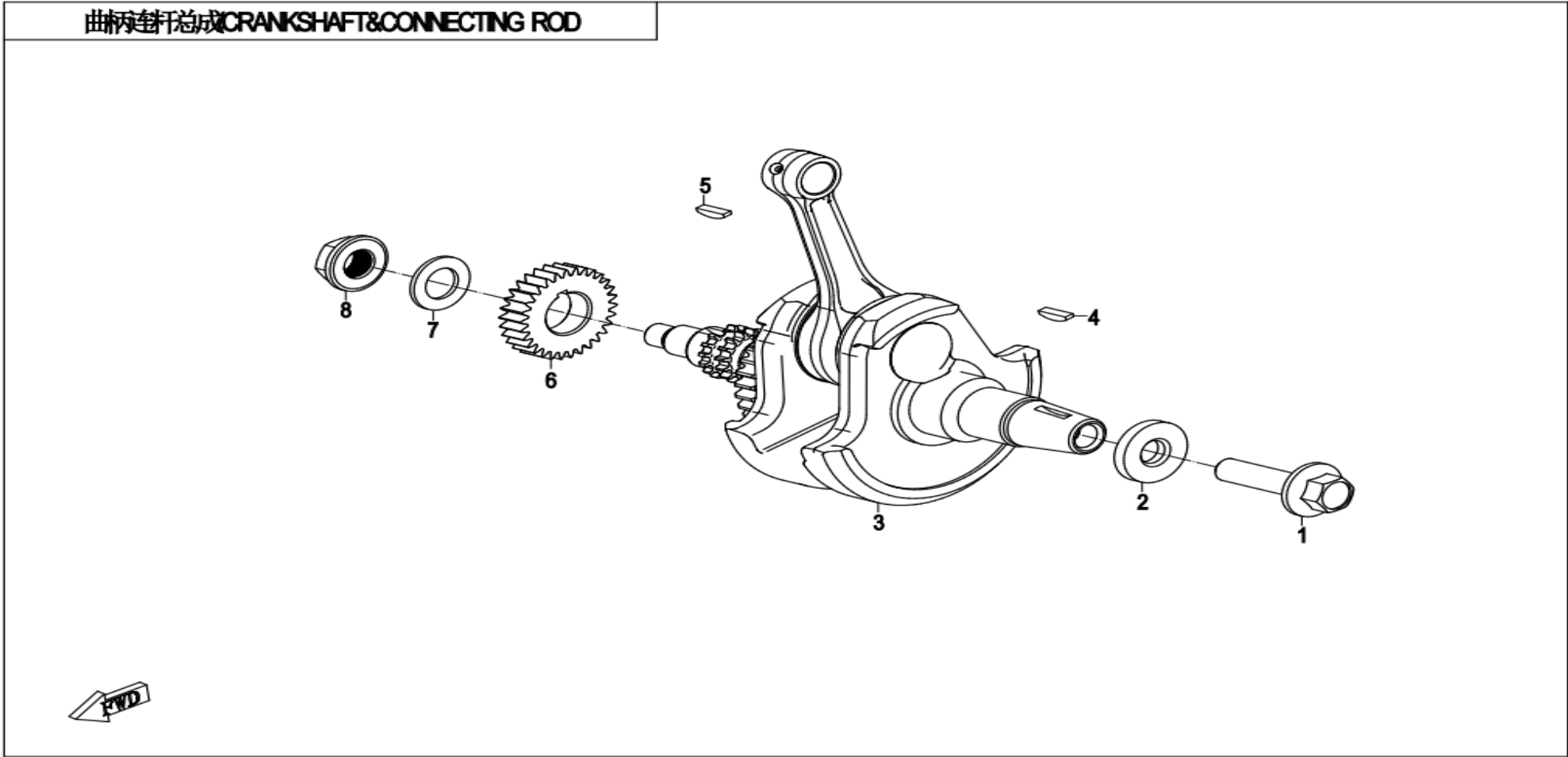
10	0700-022005-0330	TAPPET	挺柱	4	t=3.86
10	0700-022005-0340	TAPPET	挺柱	4	t=3.88
10	0700-022005-0350	TAPPET	挺柱	4	t=3.90
10	0700-022005-0360	TAPPET	挺柱	4	t=3.92
10	0700-022005-0370	TAPPET	挺柱	4	t=3.94
10	0700-022005-0380	TAPPET	挺柱	4	t=3.96
10	0700-022005-0390	TAPPET	挺柱	4	t=3.98
10	0700-022005-0400	TAPPET	挺柱	4	t=4.00
10	0700-022005-0410	TAPPET	挺柱	4	t=4.02
10	0700-022005-0420	TAPPET	挺柱	4	t=4.04
10	0700-022005-0430	TAPPET	挺柱	4	t=4.06
10	0700-022005-0440	TAPPET	挺柱	4	t=4.08
10	0700-022005-0450	TAPPET	挺柱	4	t=4.10
10	0700-022005-0460	TAPPET	挺柱	4	t=4.12
10	0700-022005-0470	TAPPET	挺柱	4	t=4.14
10	0700-022005-0480	TAPPET	挺柱	4	t=4.16
10	0700-022005-0490	TAPPET	挺柱	4	t=4.18
10	0700-022005-15100	TAPPET	挺柱	4	t=4.20
10	0700-022005-15200	TAPPET	挺柱	4	t=4.22
10	0700-022005-0520	TAPPET	挺柱	4	t=4.28
10	0700-022005-0530	TAPPET	挺柱	4	t=4.24
10	0700-022005-15500	TAPPET	挺柱	4	t=4.26
11	0700-022004	LOCK CLIP, VALVE	气门锁夹	8	
12	0700-022003	UPPER SEAT, VALVE SPRING	气门弹簧上座	4	
13	0700-022007-10000	SPRING, VALVE	气门弹簧	4	HANG ZHOU SPRING
14	0700-022006	LOWER SEAT, VALVE SPRING	气门弹簧下座	4	
15	0700-022400-1000	SEAL RING, VALVE STEM	气门杆密封圈组件	4	
16	0DM0-022002-00001	AIR EXHAUST VALVE	排气门	2	
17	0DM0-022001-00001	AIR INTAKE VALVE	进气门	2	
18	0DM0-024100-10000	CAMSHAFT, AIR INLET	进气凸轮轴组件	1	

E03 磁电机总成 MAGNETO



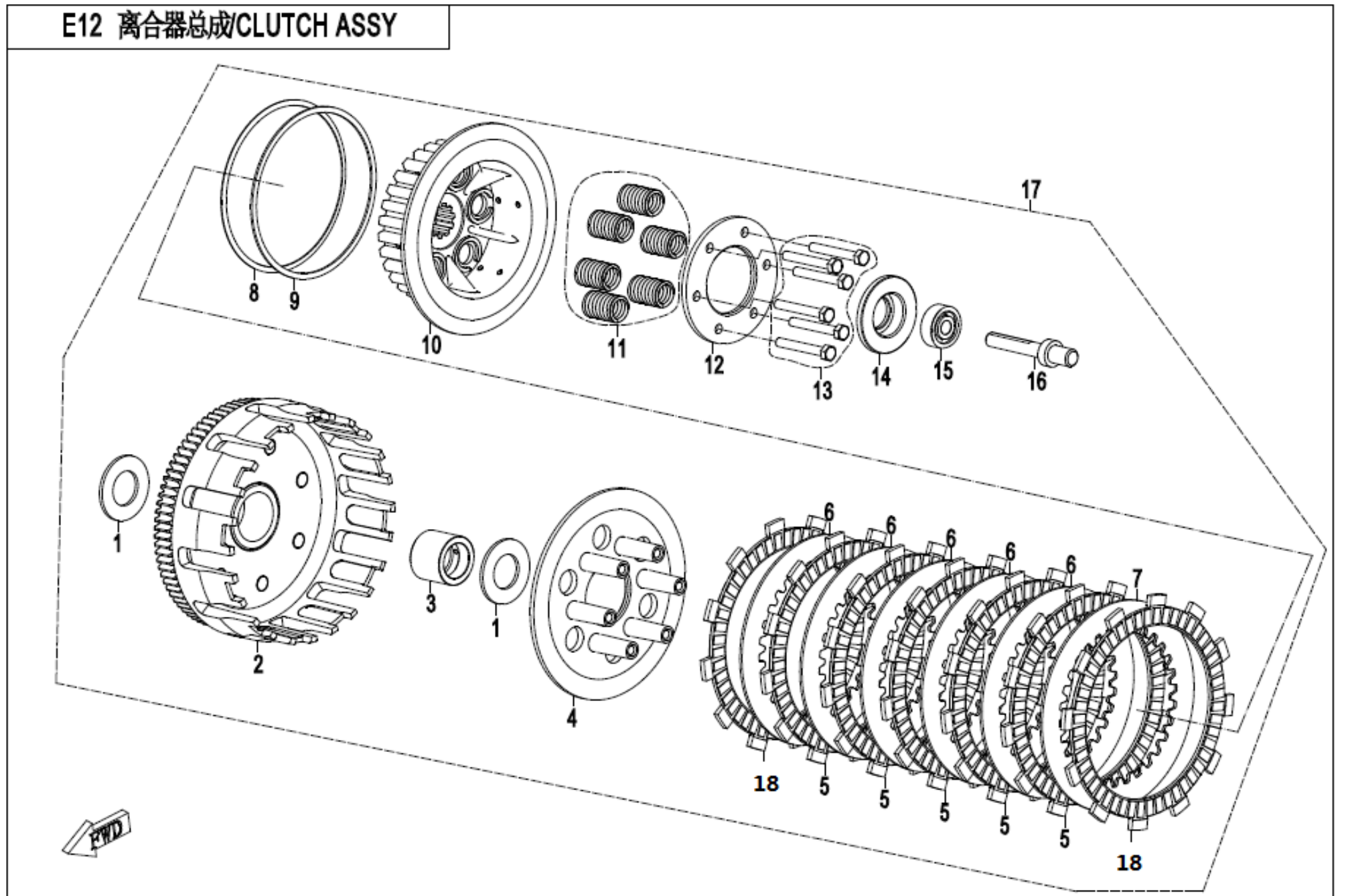
Item No	Parts Number	Parts Name(EN)	Parts Name(CN)	Qty	Specification
01	ODM0-031000	MAGNETO ROTOR ASSY.	磁电机转子组合	1	
03	ODM0-032000	MAGNETO STATOR	磁电机定子组合	1	
04	30102-050012810	SCREW M5x12	螺钉	2	M5x12
05	ODM0-030001	CABLE FIX BRACKET, TRIGGER	触发器固线板	1	

E04 曲轴连杆总成 CRANKSHAFT&CONNECTING ROD



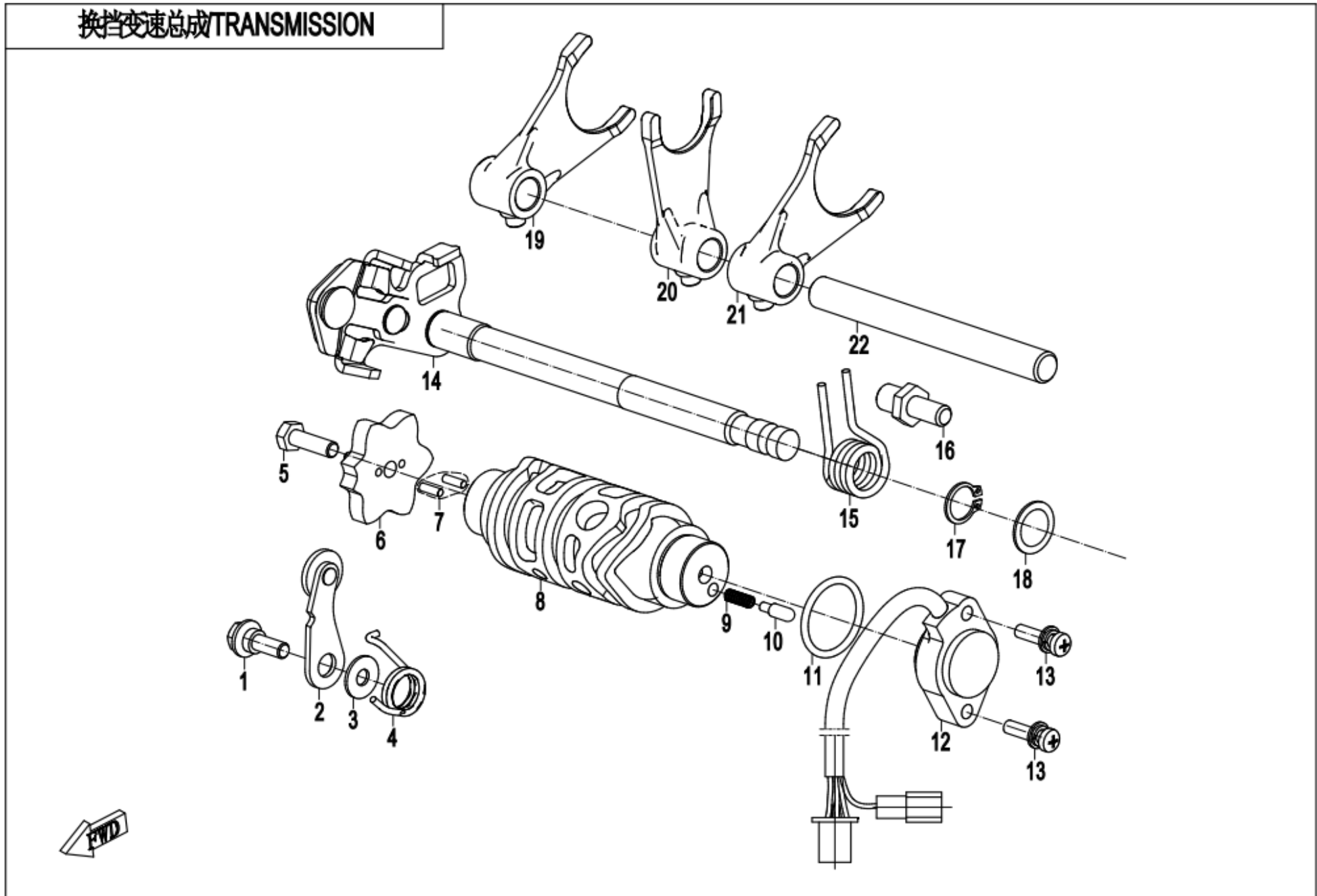
Item No	Parts Number	Parts Name(EN)	Parts Name(CN)	Qty	Specification
01	0700-040001-20000	BOLT M12x1.25x45	螺栓	1	
02	0700-040002-00001	WASHER	垫圈	1	12.5x33x5
03	ODM0-041000-00014	CRANKSHAFT ASSEMBLY	曲柄连杆分总成	1	A GROUP
04	0010-040006	WOODRUFF KEY	半圆键	1	
05	ODM0-040009	WOODRUFF KEY	半圆键	1	
06	ODM0-040002	OUTPUT GEAR	输出齿轮	1	
07	ODM0-040003	CIRCLIP16	弹性垫圈16	1	
08	0110-040001-00001	NUT M16x1	螺母	1	M16x1

E12 离合器总成/CLUTCH ASSY



Item No	Parts Number	Parts Name(EN)	Parts Name(CN)	Qty	Specification
01	ODM0-050004	WASHER 20x37x2	垫圈	2	
02	ODM0-051000	PRIMARY DRIVEN GEAR ASSY	初级从动齿轮组合	1	
03	ODM0-050003	COLLAR	轴套	1	
04	ODM0-052006	PRESSURE PLATE	压盘	1	
05	ODM0-052200	FRICTION DISC ASSY	摩擦片组件	5	
06	ODM0-052005	DRIVEN DISC 1	从动片I	5	
07	ODM0-052007	DRIVEN DISC 2	从动片II	1	
08	ODM0-052004-10000	BELLE SPRING	碟形弹簧	1	
09	ODM0-052003-10000	SPRING SEAT	碟簧座	1	
10	ODM0-052100	SLEEVE	中心套	1	
11	ODM0-052002	PRESS SPRING	压簧	6	
12	ODM0-052001	LIFT-SLAB	升板	1	
13	ODM0-052008	BOLT M5x25	螺栓	6	M5x25
14	ODM0-050002	BEARING SEAT	轴承座	1	
15	30400-00802	BEARING	滚动轴承	1	
16	ODM0-050001-10000	DAMPER ROD	顶杆	1	
17	ODM0-050000-30000	CLUTCH ASSY	离合器总成	1	
18	ODM0-052300-00001	FRICTION DISC ASSY 1	摩擦片组件I	2	

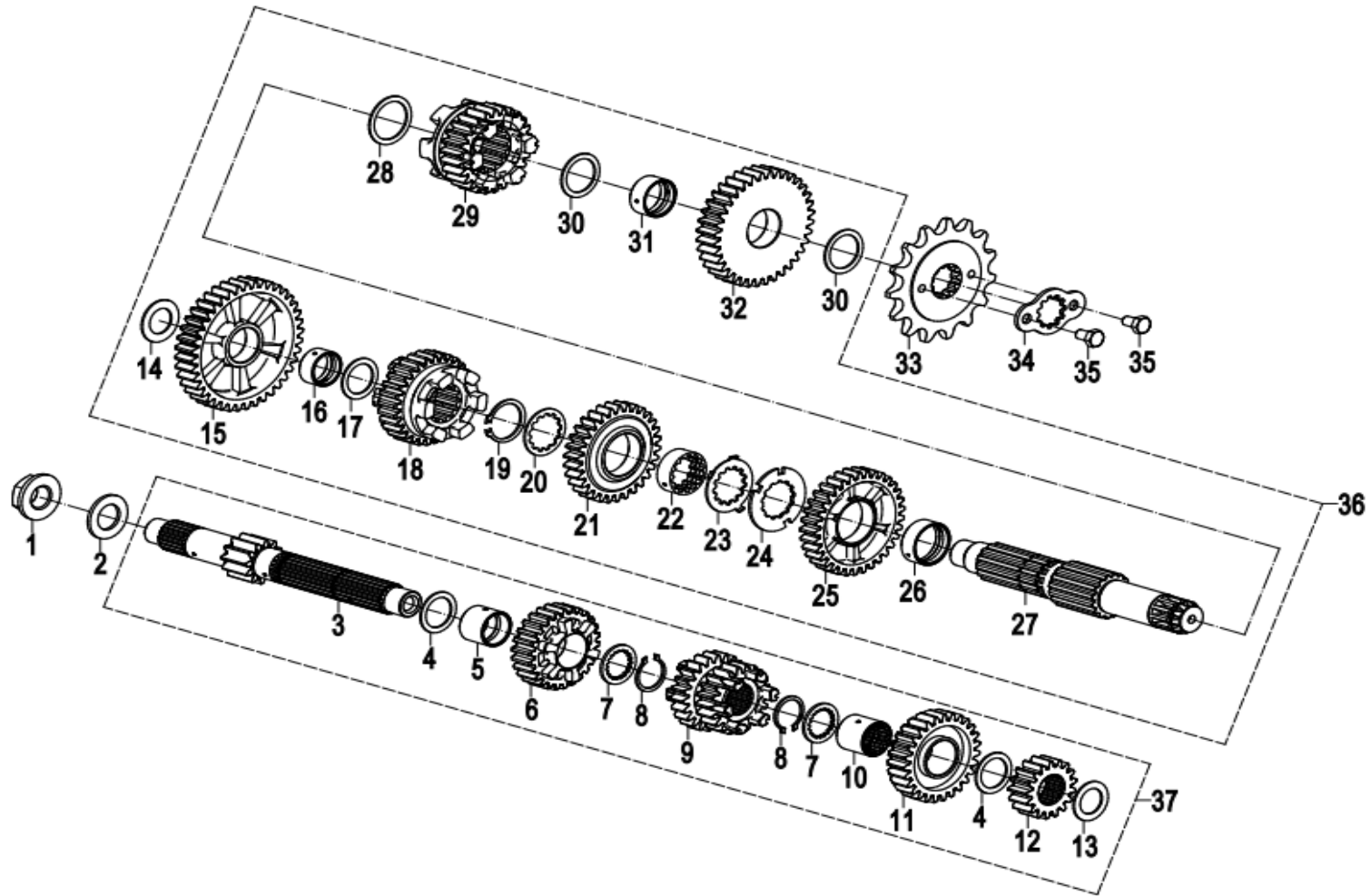
E06-1 换档变速总成(1) TRANSMISSION(1)



Item No	Parts Number	Parts Name(EN)	Parts Name(CN)	Qty	Specification
01	0A70-065001	BOLT, CAM	变档凸轮定位螺栓	1	M6
02	ODM0-065100-00001	SWING ARM, GEARSHIFT	换档定位摇臂分部件	1	
03	0700-064001	WASHER	垫圈	1	6.3x16.3x1.2
04	ODM0-065001	SPRING, SWING ARM, GEARSHIFT	换档定位摇臂扭簧	1	
05	30004-060016130	BOLT M6x16	螺栓	1	M6x16
06	ODM0-064002	CAM, GEARSHIFT DRUM	定位星轮	1	
07	30406-00303	NEEDLE BEARING	滚针	2	
08	ODM0-064001-00001	TRANSMISSION HUB	变速毂	1	
09	0A70-064003	SPRING	触头弹簧	1	
10	0A70-064004	CONTACTOR, GEAR SWITCH	档位开关触头	1	
11	0A70-060014	O-RING 26.2x2.4	O形圈	1	26.2x2.4
12	ODMV-066000-1301	GEAR POSITION SENSOR	档位接触器	1	
13	30116-050020410	SCREW ASSY M5x20	螺钉组合件	2	M5x20
14	ODM0-063100-00001	GEARSHIFT ROD ASSY	换档杆焊接组件	1	
15	ODM0-063001	RETURN SPRING, GEARSHIFT	换档杆回位扭簧	1	
16	ODM0-063002-00001	PIN, SHIFTING	换档定位扭簧销	1	
17	30801-01405	CIRCLIPS FOR SHAFT	轴用弹性挡圈	1	14
18	ODM0-063003	WASHER 14x20x1	垫圈	1	
19	ODM0-060006	SHIFT FORK, RH	换档拨叉(右)	1	
20	ODM0-060005	SHIFT FORK, MID	换档拨叉(中)	1	
21	ODM0-060004	SHIFT FORK, LH	换档拨叉(左)	1	
22	ODM0-060003	FORK SHAFT	拨叉轴	1	

E06-2 换档变速总成(2) TRANSMISSION(2)

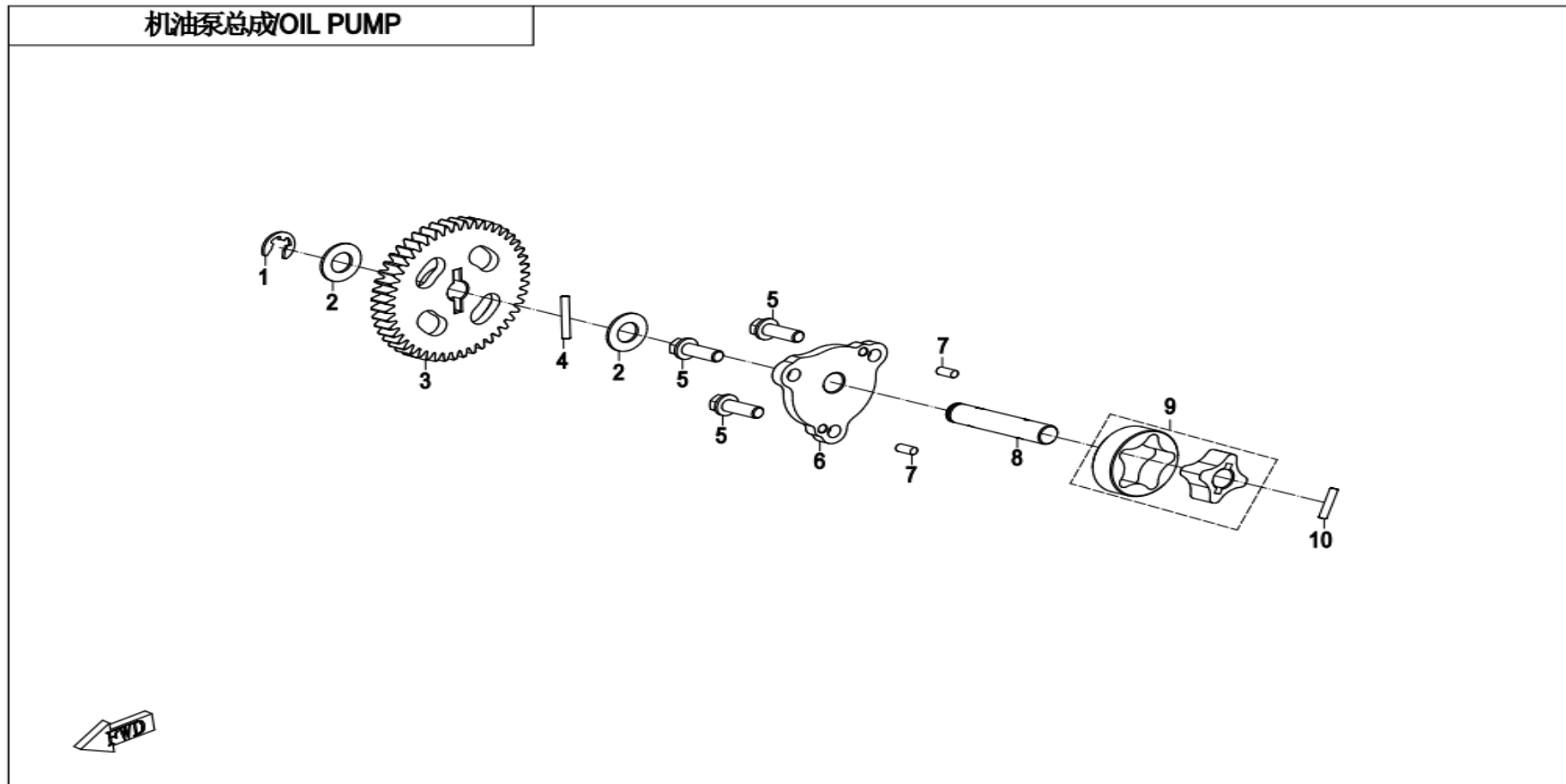
换档变速总成 TRANSMISSION



Item No	Parts Number	Parts Name(EN)	Parts Name(CN)	Qty	Specification
01	0110-040001-00001	NUT M16x1	螺母	1	M16x1
02	0DM0-040003	CIRCLIP16	弹性垫圈16	2	
03	0DM0-061001	DRIVE SHAFT	主轴	1	
04	0DM0-061006	WASHER 20x27x1	垫圈	2	
05	0DM0-061007	BUSHING 20x23x17.2	衬套	1	
06	0DM0-061004	5TH GEAR, DRIVE	五档主动齿轮	1	26
07	0DM0-061008	SPLINE WASHER 20x26x1.6	花键垫圈	2	
08	0DM0-061012	CIRCLIPS FOR SHAFT 20	轴用弹性挡圈20	2	
09	0DM0-061003	3RD(>&<)>4TH GEAR, DRIVE	三四档主动齿轮	1	
10	0DM0-061009	SPLINE SLEEVE 23	花键套23	1	
11	0DM0-061005	6TH GEAR, DRIVE	六档主动齿轮	1	27
12	0DM0-061002	2ND GEAR, DRIVE	二档主动齿轮	1	17
13	0DM0-061011	WASHER 17x26x1	垫圈	1	
14	0DM0-062021	LOCK WASHER 17x28x1	锁止垫圈	1	
15	0DM0-062002	1ST GEAR, DRIVEN	一档从动齿轮	1	
16	0DM0-062019	BUSHING 20x23x10.5	衬套	1	
17	0DM0-062018	WASHER 20	止推垫圈20	1	
18	0DM0-062006	5TH GEAR, DRIVEN	五档从动齿轮	1	
19	0DM0-062017	CIRCLIPS FOR SHAFT 25	轴用弹性挡圈25	1	
20	0DM0-062016	SPLINE WASHER 25x31x1	花键垫圈	1	
21	0DM0-062005	4TH GEAR, DRIVEN	四档从动齿轮	1	
22	0DM0-062015	SPLINE SLEEVE 25x10	花键套	1	
23	0DM0-062014	LOCK WASHER 25	锁止垫圈25	1	
24	0DM0-062013	SPLINE WASHER 25x42x1.6	花键垫圈	1	
25	0DM0-062004	3RD GEAR, DRIVEN	三档从动齿轮	1	33
26	0DM0-062012	BUSHING 25x28x10	衬套	1	
27	0DM0-062001	SECONDARYSHAFT	副轴	1	
28	0DM0-062011	WASHER 25x32x1	垫圈	1	
29	0DM0-062007	6TH GEAR, DRIVEN	六档从动齿轮	1	
30	0DM0-062008	WASHER 22x29x1	垫圈	2	
31	0DM0-062009	BUSHING 22x25x11	衬套	1	
32	0DM0-062003	2ND GEAR, DRIVEN	二档从动齿轮	1	36
33	0DM0-060001-00001	DRIVE SPROCKET	主动链轮	1	14

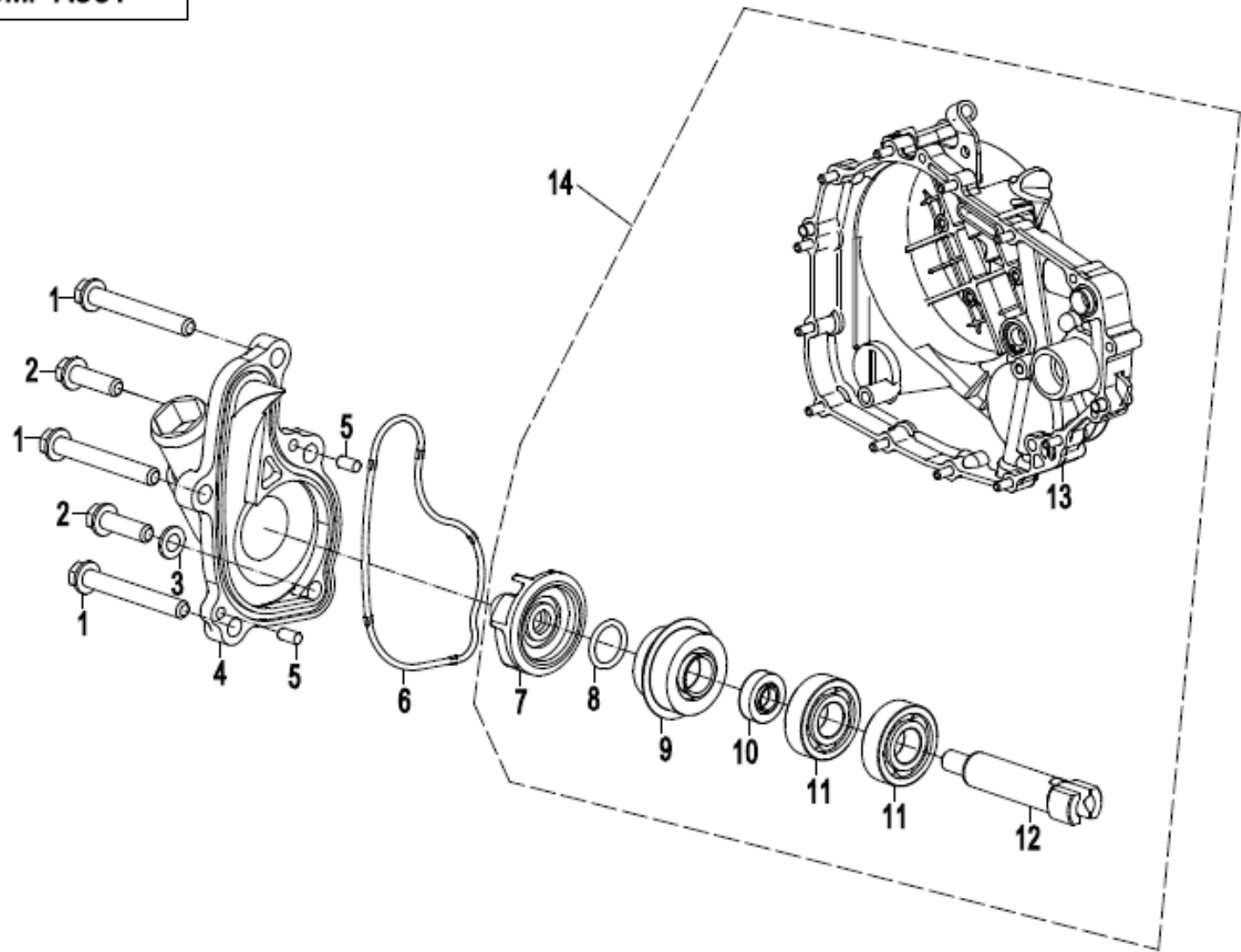
Item No	Parts Number	Parts Name(EN)	Parts Name(CN)	Qty	Specification
34	ODM0-060002	GUARD, SPROKET	链轮挡板	1	
35	30004-060010850	BOLT M6x10	螺栓	2	M6x10
36	ODM0-062000	COUNTERSHAFT ASSY	副轴组合	1	
37	ODM0-061000	MAIN SHAFT ASSY	主轴组合	1	

E07 机油泵总成 OIL PUMP



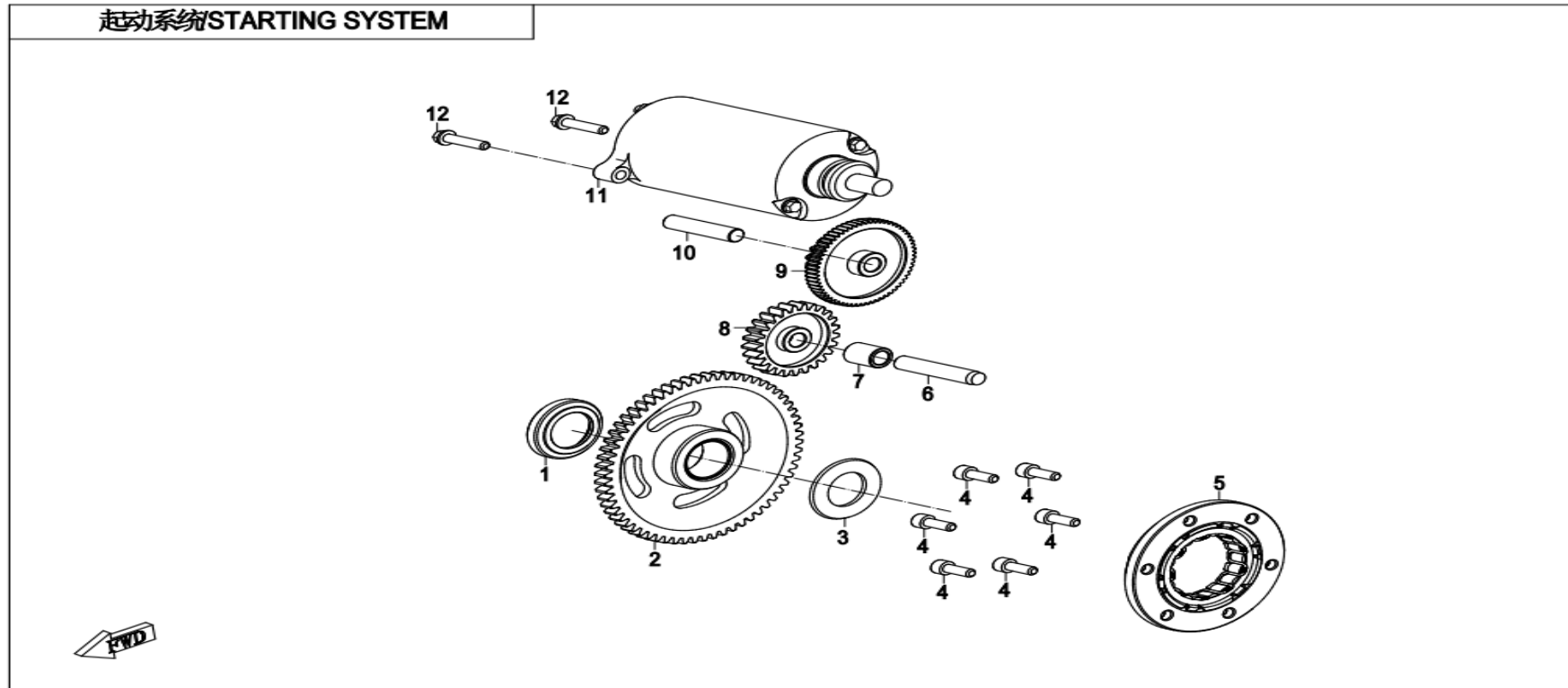
Item No	Parts Number	Parts Name(EN)	Parts Name(CN)	Qty	Specification
01	30802-00805	SPLIT WASHER	开口挡圈	1	8
02	0800-011005	WASHER 10	垫圈10	2	10
03	0DM0-070003	GEAR, OIL PUMP	机油泵齿轮	1	
04	30406-00300	ROLLER NEEDLE	滚针	1	P3x21.8
05	0010-090005-0010	BOLT M6x16	螺栓	3	M6x16
06	0DM0-070002	COVER, OIL PUMP	机油泵盖	1	
07	30406-00401	ROLLER NEEDLE P4x7.8	滚针P4x7.8	2	P4x7.8
08	0DM0-070001	SHAFT,OIL PUMP	机油泵轴	1	
09	0DM0-070100	ROTOR ASSY, OIL PUMP	机油泵转子组合	1	
10	30406-00304	ROLLER NEEDLE	滚针	1	

E16 水泵总成 WATER PUMP ASSY



Item No	Parts Number	Parts Name(EN)	Parts Name(CN)	Qty	Specification
01	0180-013208-0010	BOLT M6x45	螺栓	3	M6x45
02	0010-023010-0010	BOLT M6x20	螺栓	2	M6x20
03	0010-060009	WASHER 6	垫圈6	1	6
04	ODM0-080100-0B200	WATER PUMP COVER ASSY	水泵盖组件	1	MATTE BLACK
05	30406-00401	ROLLER NEEDLE P4x7.8	滚针P4x7.8	2	P4x7.8
06	ODM0-080003	SEAL RING, WATER PUMP COVER	水泵盖密封圈	1	
07	ODM0-080002	IMPELLER, WATER PUMP	水泵叶轮	1	
08	01A0-013005	O-SEAL RING	O形密封圈	1	13x2
09	0JWA-081000	WATER SEAL ASSY	水封组件	1	
10	0010-080009	OIL SEAL	油封	1	12x20x5
11	30400-01207	ROLLER BEARING	滚动轴承6001	2	
12	ODM0-080001-00001	SHAFT, WATER PUMP	水泵轴	1	
13	ODM0-013000-10000	RH SIDE COVER SUB ASSY.	右侧盖分总成	1	

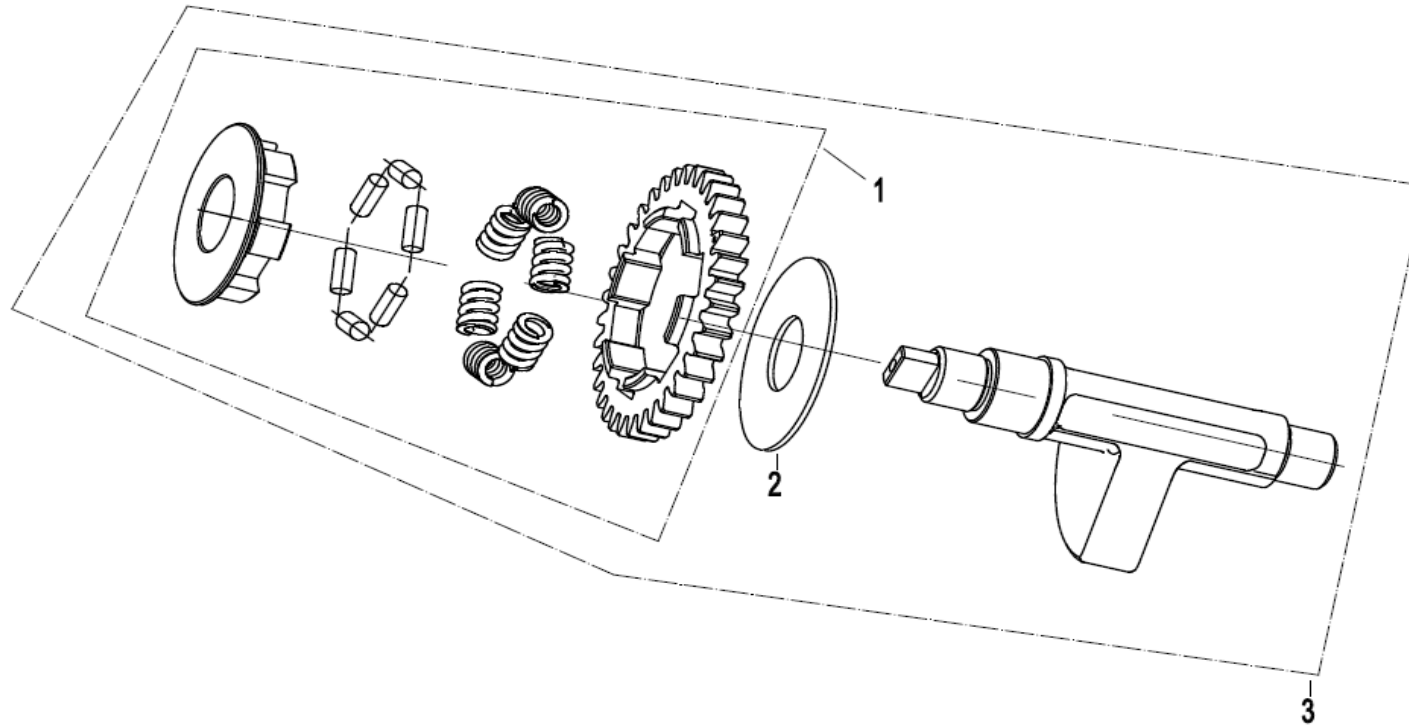
E09 起动系统 STARTING SYSTEM



Item No	Parts Number	Parts Name(EN)	Parts Name(CN)	Qty	Specification
01	0DM0-090007	SPACER RING	隔环	1	
02	0DM0-092000-00001	GEAR, STARTING MOTOR	起动大齿轮组件	1	
03	0DM0-090001	WASHER 27x44x1	垫圈	1	
04	30102-060016810	SCREW	螺钉	6	
05	0DM0-091000	OVERRIDING CLUTCH	超越离合器组件	1	
06	0800-011202	SHAFT, BREATHER	呼吸器轴	1	
07	0DM0-090004	BUSHING, MIDDLE GEAR	中间齿轮衬套	1	
08	0DM0-090002-00001	STARTING GEAR	起动中间齿轮	1	
09	0DM0-090006	DUAL GEAR	双联齿轮	1	
10	0DM0-090005	AXLE, DUAL GEAR	双联齿轮轴	1	
11	0DM0-093000	STARTING MOTOR	起动电机组件	1	
12	0010-021017-0010	BOLT M6x25	螺栓	2	M6x25

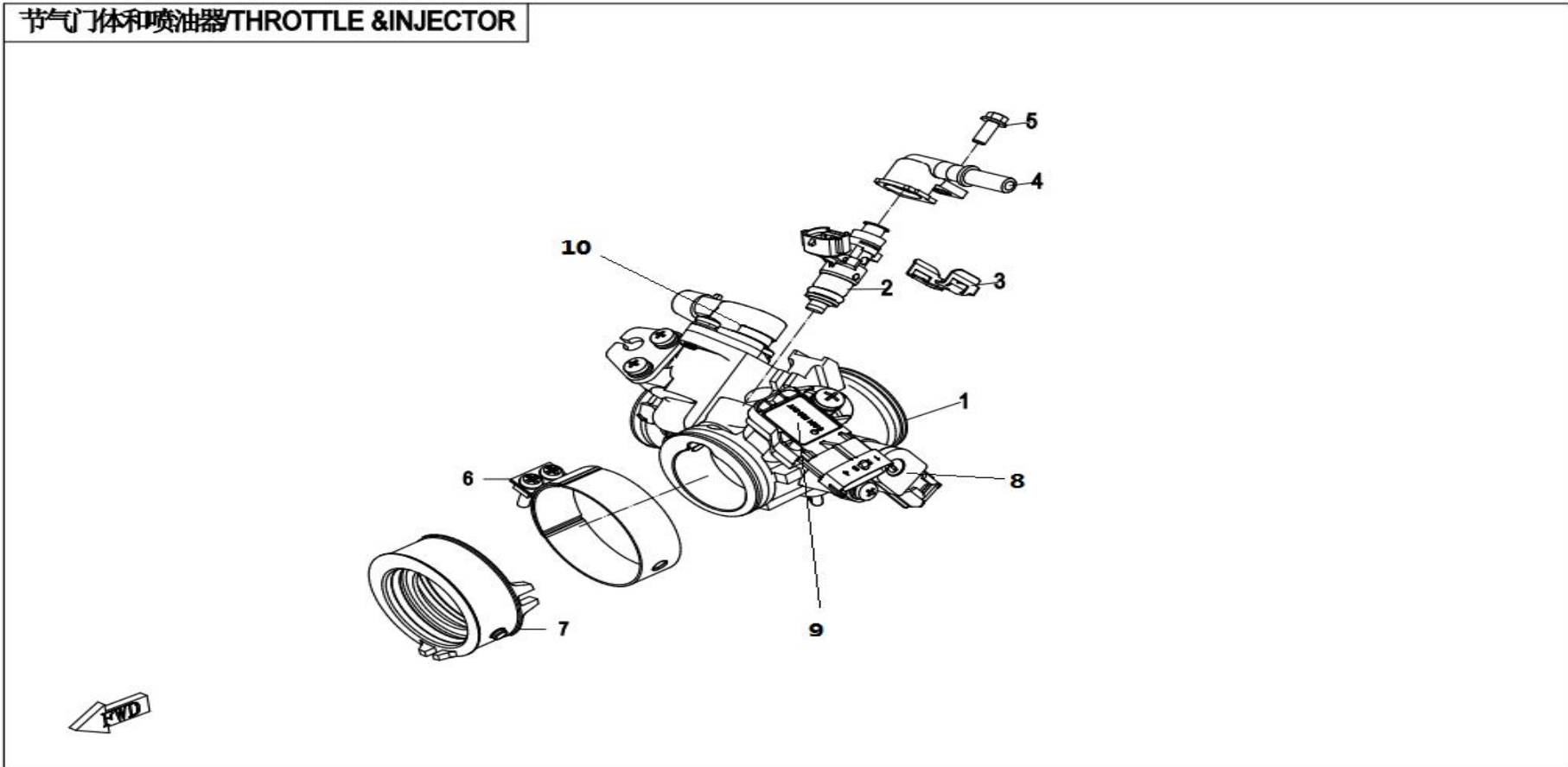
E16 平衡轴总成 BALANCER SHAFT

平衡轴总成 BALANCE ASSY



Item No	Parts Number	Parts Name(EN)	Parts Name(CN)	Qty	Specification
01	ODM0-162000-00020	DRIVEN GEAR ASSY, BALANCER SHAFT	平衡轴从动齿轮组合	1	B GROUP
02	ODM0-160002	WASHER 20x5x1.5	垫圈	1	
03	ODM0-160000-10020	BALANCER SHAFT ASSY	平衡轴总成	1	B GROUP

E17 节气门体和喷油器 THROTTLE&INJECTOR



Item No	Parts Number	Parts Name(EN)	Parts Name(CN)	Qty	Specification
01	ODM#-170020-1002	THROTTLE BODY ASSY	节气门体总成	1	178MN
02	ODM0-171000	FUEL INJECTOR	喷油器	1	
03	ODM0-173002	CIRCLIP	卡簧	1	
04	ODM0-173001	INJECTOR CAP	喷油器帽	1	
05	0700-012013-00001	BOLT M5x12	螺栓	1	M5x12
06	ODM0-022300	CLAMP, CONNECTING PIPE	连接管卡箍组件	1	
07	ODM0-022006	CONNECTING PIPE, THROTTLE BODY	节气门体连接管	1	
08	0A80-173100	THROTTLE POSITION SENSOR	节气门位置传感器	1	
09	0JY0-175000	T-MAP	进气温度、压力传感器	1	
10	ODM0-173200-10000	STEPPER MOTOR	步进电机	1	